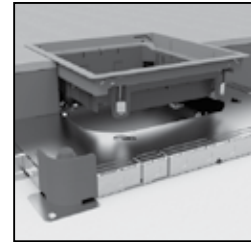
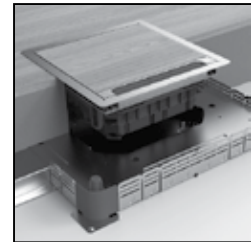


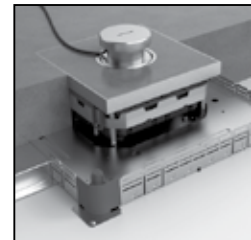
Uniform concrete floor systems



Covers for concrete floor, not water resistant

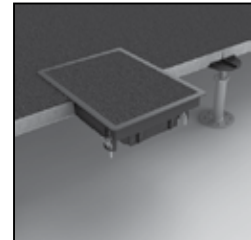


Covers for concrete floor, water resistant

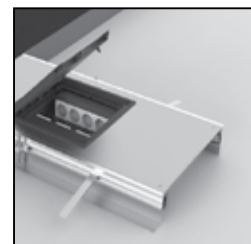


FLOOR INSTALLATIONS

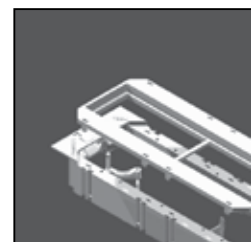
Covers for raised floor, not water resistant



Flush floor trunking system



Accessories



FLOOR INSTALLATIONS

UNIFORM CONCRETE FLOOR SYSTEMS

VGI		
VGI28	Floor trunking with integrated ends	6-306
VGI38	Floor trunking with integrated ends	6-307
VGI48	Floor trunking with integrated ends	6-307
VGLI		
VGLI28	Floor trunking light integrated ends	6-308
VGLI38	Floor trunking light integrated ends	6-308
VGLI48	Floor trunking light integrated ends	6-309
UNIFORM FLOOR SYSTEM		
VSF	Rising / low elbow for floor trunking	6-309
VK	Joining piece for floor trunking	6-310
VE	End piece for floor trunking	6-310
NEO	Universal floorbox	6-311
VEVV	Form element	6-312
VERV	Form element round	6-312
VEVP	Form element polished concrete	6-313
VERP	Form element round polished concrete	6-313

COVERS for CONCRETE FLOOR, not water resistant

CARPET LINOLEUM VINYL		
BDVKK2	Blind cover rectangular, universal	6-317
KDVKK2	Hinged cover rectangular, universal	6-318
BDVKK3	Blind cover square, universal	6-319
KDVKK3	Hinged cover square, universal	6-320
BDRKK3	Blind cover round, universal	6-321
KDRKK3	Hinged cover round, universal	6-322
PARKET TILE EPOXY		
KDVT2	Hinged cover rectangular, Stainl. steel	6-323
KDVIRK2	Hinged cover rectangular, with border	6-324
KDVT3	Hinged cover square, stainless steel	6-325
KDVTV3	Hinged cover square flat stainless steel	6-326
KDVIRK3	Hinged cover square, with border	6-327
DRIT3	Cover round, lateral cable outlet	6-328

COVERS for CONCRETE FLOOR, water resistant

TILE EPOXY POLISHED CONCRETE		
BDVITWD2	Blind cover rectangular, water resistant	6-331
BDVITWD3	Blind cover square, water resistant	6-332
DVITWD3	Tile-cassette square, water resistant	6-333
DVITWDV3	Tile-cassette square flat water resistant	6-334
KDVITWD3	Hinged cover square, water resistant	6-335
KDVITWDV3	Hinged cover square flat water resistant	6-336
BDRITWD3	Blind cover round, water resistant	6-337
DRITWD3	Cover round, watertight cable outlet	6-338
KUWDT	Tube for water resistant cable exit	6-339

COVERS for RAISED FLOOR, not water resistant

CARPET LINOLEUM VINYL PARKET		
BDVKK2	Blind cover rectangular, universal	6-343
KDVKK2	Hinged cover rectangular, universal	6-344
KDVIRK2	Hinged cover rectangular, with border	6-345
BDVKK3	Blind cover square, universal	6-346
KDVKK3	Hinged cover square, universal	6-347
KDVIRK3	Hinged cover square, with border	6-348
BDRKK3	Blind cover round, universal	6-349
KDRKK3	Hinged cover round, universal	6-350

FLUSH FLOOR TRUNKING SYSTEM

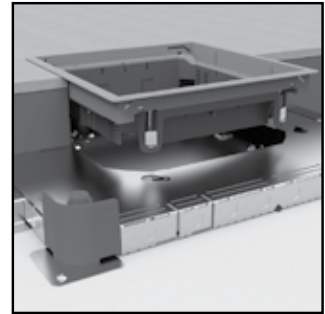
OVG		
OVG	Open flush floor trunking	6-354
OVGBP	Bottom plate	6-354
OVG COVER		
DOVG	Cover for flush floor trunking	6-355
DOVGV.2	Cover for flush floor trunking	6-355
DOVGV.3	Cover for flush floor trunking	6-355
DOVGR.3	Cover for flush floor trunking	6-356
OVG ACCESSORIES		
OVGB	Bend for flush floor trunking	6-356
OVGT	T-piece for flush floor trunking	6-356
OVGK	Cross piece for flush floor trunking	6-357
OVGE	End part for flush floor trunking	6-357
KDVKK2	Hinged cover rectangular, universal	6-358
KDVIRK2	Hinged cover rectangular, with border	6-359
KDVKK3	Hinged cover square, universal	6-360
KDVIRK3	Hinged cover square, with border	6-361
KDRKK3	Hinged cover round, universal	6-362
OVGZ	Universal side for flush floor trunking	6-363
OVGP	Extrusion profile flush floor trunking	6-363
OVGTR	Crossbar for flush floor trunking	6-363
OVGVST	Bottom for flush floor trunking	6-364
OVGAN	Screed anchor for flush floor trunking	6-364
OVGTAP	Carpet border for flush floor trunking	6-364
OVGHV	Connection angle for flush trunking	6-365
OVGEQ	Earth conductor clamp for flush trunking	6-365
OVGEQH	Earth conductor clamp for flush trunking	6-365
SLOS	Division plate free	6-366
	TECHNICAL INFORMATION	6-367

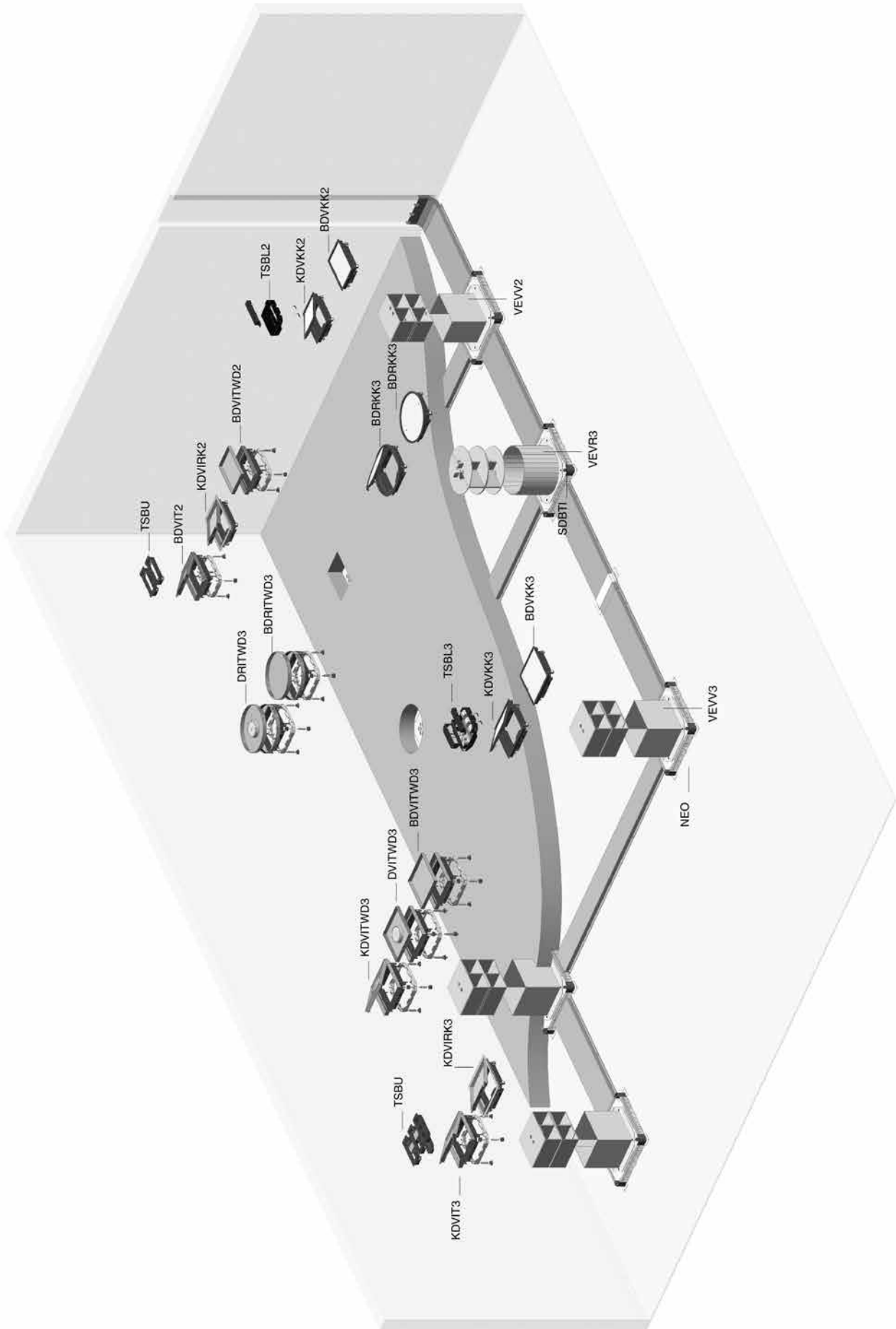
ACCESSORIES

ACCESSORIES		
NEOT	Supporting Alu-frame	6-375
NEOAVT	Anchor base NEO	6-375
NEOTVT	Support NEOT	6-376
AM	Extension Nut	6-376
OHE	Packer floorcover	6-377
IOK	Filler rim for covers	6-377
KDVIZ	Kit for heavy load	6-378
BDVIZ	Kit for heavy load	6-378
TSBU	Apparatus cup universal	6-379
TSBU45	Apparatus cup 45	6-379
TSBU50	Apparatus cup 50	6-380
TSBUD	Apparatus cup angular	6-380
ADPU	Coverplate for TSBU	6-381
ADPUB	Baseplate for TSBU	6-381
ADSU	Cap	6-382
SSBU	Divider plate TSBU	6-382
IDP	Fixing plate ADPUD	6-383
GBP	Blind plate	6-383
TSBL	Low profile apparatus box	6-384
ASTSBL	Adapter piece low profile apparatus box	6-384
MK	Silicon box	6-385
OV	Degreaser	6-385
	TECHNICAL INFORMATION	6-387

FLOOR INSTALLATIONS

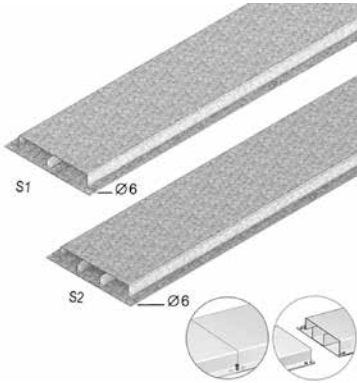
Uniform concrete floor systems





VGI28

Floor trunking with integrated ends



With 2 or 3 compartments.

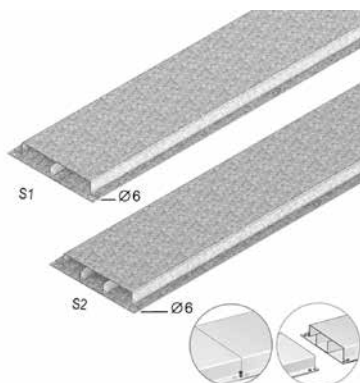
Thickness cover	1,50 mm
Thickness trunk	1,00 mm
Standard finish	Pre-galvanised

HD	Reference	↑ mm	↔ mm	↔ mm	↔ mm	kg/m	⊞	Stock	Unit
-	VGI28.170S1	28	170		3000	4.968	150		m
-	VGI28.170S2	28	170		3000	5.467	150		m
-	VGI28.250S1	28	250		3000	6.538	150		m
-	VGI28.250S2	28	250		3000	7.241	150		m
-	VGI28.350S1	28	350		3000	8.500	150		m
-	VGI28.350S2	28	350		3000	9.471	150		m

Tested according EN 50085-2-2.
 In total 16 predrilled fixing points available per length.
 No additional pieces needed for equipotential connection.
 The product is patented.

VGI38

Floor trunking with integrated ends



With 2 or 3 compartments.

Thickness cover 1,50 mm

Thickness trunk 1,00 mm

Standard finish Pre-galvanised

HD	Reference	↑ mm	↔ mm	↔ mm	↔ mm	kg/m	⊞	Stock	Unit
-	VGI38.170S1	38	170		3000	5.282	150		m
-	VGI38.170S2	38	170		3000	5.860	150		m
-	VGI38.250S1	38	250		3000	6.852	150		m
-	VGI38.250S2	38	250		3000	7.634	150	✓	m
-	VGI38.350S1	38	350		3000	8.814	150		m
-	VGI38.350S2	38	350		3000	9.863	150	✓	m

Tested according EN 50085-2-2.

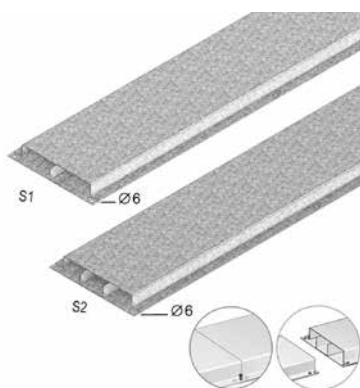
In total 16 predrilled fixing points available per length.

No additional pieces needed for equipotential connection.

The product is patented.

VGI48

Floor trunking with integrated ends



With 2 or 3 compartments.

Thickness cover 1,50 mm

Thickness trunk 1,00 mm

Standard finish Pre-galvanised

HD	Reference	↑ mm	↔ mm	↔ mm	↔ mm	kg/m	⊞	Stock	Unit
-	VGI48.170S1	48	170		3000	5.596	150		m
-	VGI48.170S2	48	170		3000	6.252	150		m
-	VGI48.250S1	48	250		3000	7.166	150		m
-	VGI48.250S2	48	250		3000	8.026	150		m
-	VGI48.350S1	48	350		3000	9.128	150		m
-	VGI48.350S2	48	350		3000	10.256	150		m

Tested according EN 50085-2-2.

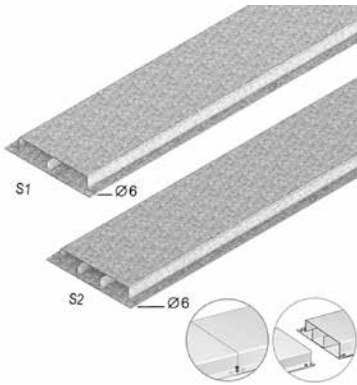
In total 16 predrilled fixing points available per length.

No additional pieces needed for equipotential connection.

The product is patented.

VGLI28

Floor trunking light integrated ends



With 2 or 3 compartments.

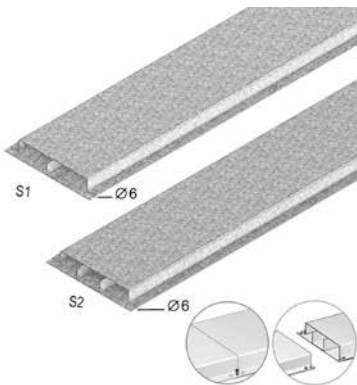
Thickness cover	1,00 mm
Thickness trunk	1,00 mm
Standard finish	Pre-galvanised

HD	Reference	↑ mm	↔ mm	↔ mm	↔ mm	kg/m	⊠	Stock	Unit
-	VGLI28.170S1	28	170		3000	3.976	150		m
-	VGLI28.170S2	28	170		3000	4.475	150		m
-	VGLI28.250S1	28	250		3000	5.232	150	✓	m
-	VGLI28.250S2	28	250		3000	5.935	150		m
-	VGLI28.350S1	28	350		3000	6.802	150		m
-	VGLI28.350S2	28	350		3000	7.772	150	✓	m

Tested according EN 50085-2-2.
 In total 16 predrilled fixing points available per length.
 No additional pieces needed for equipotential connection.
 The product is patented.

VGLI38

Floor trunking light integrated ends



With 2 or 3 compartments.

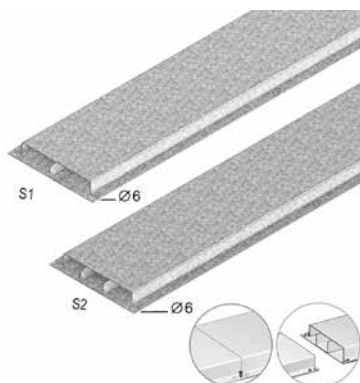
Thickness cover	1,00 mm
Thickness trunk	1,00 mm
Standard finish	Pre-galvanised

HD	Reference	↑ mm	↔ mm	↔ mm	↔ mm	kg/m	⊠	Stock	Unit
-	VGLI38.170S1	38	170		3000	4.211	150		m
-	VGLI38.170S2	38	170		3000	4.789	150		m
-	VGLI38.250S1	38	250		3000	5.467	150	✓	m
-	VGLI38.250S2	38	250		3000	6.249	150		m
-	VGLI38.350S1	38	350		3000	7.037	150		m
-	VGLI38.350S2	38	350		3000	8.086	150	✓	m

Tested according EN 50085-2-2.
 In total 16 predrilled fixing points available per length.
 No additional pieces needed for equipotential connection.
 The product is patented.

VGLI48

Floor trunking light integrated ends



With 2 or 3 compartments.

Thickness cover 1,00 mm

Thickness trunk 1,00 mm

Standard finish Pre-galvanised

HD	Reference	↑ mm	↔ mm	↔ mm	↔ mm	kg/m	⊞	Stock	Unit
-	VGLI48.170S1	48	170		3000	4.447	150		m
-	VGLI48.170S2	48	170		3000	5.103	150		m
-	VGLI48.250S1	48	250		3000	5.703	150		m
-	VGLI48.250S2	48	250		3000	6.563	150		m
-	VGLI48.350S1	48	350		3000	7.273	150		m
-	VGLI48.350S2	48	350		3000	8.400	150		m

Tested according EN 50085-2-2.

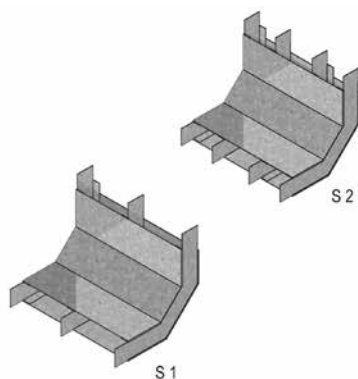
In total 16 predrilled fixing points available per length.

No additional pieces needed for equipotential connection.

The product is patented.

VSB

Rising / low elbow for floor trunking



With 2 or 3 compartments.

Standard finish

Pre-galvanised

HD	Reference	↑ mm	↔ mm	↔ mm	↔ mm	kg/piece	⊞	Stock	Unit
-	VSB28.170S1	28	170		-	0.600	1		piece
-	VSB28.170S2	28	170		-	0.650	1		piece
-	VSB28.250S1	28	250		-	0.750	1		piece
-	VSB28.250S2	28	250		-	0.800	1		piece
-	VSB28.350S1	28	350		-	1.000	1		piece
-	VSB28.350S2	28	350		-	1.050	1		piece
-	VSB38.170S1	38	170		-	0.600	1		piece
-	VSB38.170S2	38	170		-	0.650	1		piece
-	VSB38.250S1	38	250		-	0.800	1		piece
-	VSB38.250S2	38	250		-	0.850	1		piece
-	VSB38.350S1	38	350		-	1.000	1		piece
-	VSB38.350S2	38	350		-	1.100	1		piece
-	VSB48.170S1	48	170		-	0.600	1		piece
-	VSB48.170S2	48	170		-	0.700	1		piece
-	VSB48.250S1	48	250		-	0.750	1		piece
-	VSB48.250S2	48	250		-	0.850	1		piece
-	VSB48.350S1	48	350		-	1.050	1		piece
-	VSB48.350S2	48	350		-	1.150	1		piece

Tested according EN 50085-2-2.

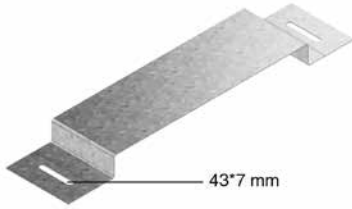
To connect the galvanised floor trunking with a rising trunking.

Also useful as a low piece.

VK

Joining piece for floor trunking

To couple two trunkings.



Standard finish

Pre-galvanised

HD	Reference	↑ mm	↔ mm	↔ mm	↔ mm	kg/piece	⊞	Stock	Unit
-	VK28.170	28	170		-	0.266	12	✓	piece
-	VK28.250	28	250		-	0.331	12	✓	piece
-	VK28.350	28	350		-	0.411	12	✓	piece
-	VK38.170	38	170		-	0.282	12	✓	piece
-	VK38.250	38	250		-	0.347	12	✓	piece
-	VK38.350	38	350		-	0.427	12	✓	piece
-	VK48.170	48	170		-	0.298	12	✓	piece
-	VK48.250	48	250		-	0.363	12	✓	piece
-	VK48.350	48	350		-	0.443	12	✓	piece

Tested according EN 50085-2-2.
To order per full packaging.

VE

End piece for floor trunking



Standard finish

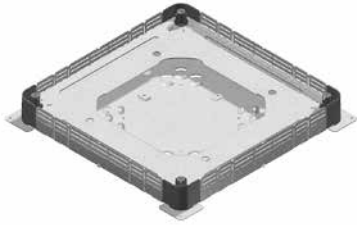
Pre-galvanised

HD	Reference	↑ mm	↔ mm	↔ mm	↔ mm	kg/piece	⊞	Stock	Unit
-	VE28.170	30	165		-	0.080	1		piece
-	VE28.250	30	245		-	0.110	1		piece
-	VE28.350	30	345		-	0.160	1		piece
-	VE38.170	40	165		-	0.100	1		piece
-	VE38.250	40	245		-	0.140	1		piece
-	VE38.350	40	345		-	0.180	1		piece
-	VE48.170	50	165		-	0.110	1		piece
-	VE48.250	50	245		-	0.160	1		piece
-	VE48.350	50	345		-	0.220	1		piece

Tested according EN 50085-2-2.

NEO

Universal floorbox



For all widths and heights of floor trunkings.
For square, rectangular and round cover set.

Standard finish

Pre-galvanised

HD	Reference	↑ mm	↔ mm	↔ mm	↔ mm	kg/piece	📦	Stock	Unit
-	NEO	65	490		490	4.150	1	✓	piece

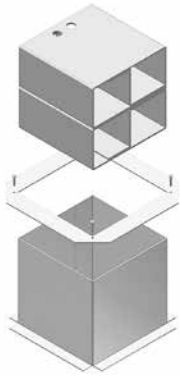
Tested to EN 50085-2-2.

Side panels are equipped with break-away surfaces for Ø 16 mm for assembly with pipes.
Provided with 4 alignment marks.
Bottom plate is provided with earthing clamp.

Height is adjustable to suit the height of trunking, 28, 38 or 48 mm.
Side panels are cut and folded to suit the width of the trunking.
A form element, type VEVV or VERV, is required to install the floor box.
Minimum height of the screed: 65mm

VEVV

Form element



Delivered with reinforcing plates.

Standard finish

Polypropylene

HD	Reference	↑ mm	↔ mm	↗ mm	↘ mm	kg/piece	📦	Stock	Unit
-	VEVV2	250	190		270	0.700	12	✓	piece
-	VEVV3	250	270		270	0.500	12	✓	piece

To order per full packaging.
Height screed: max. 298 mm

VEVV2: For rectangular cover set

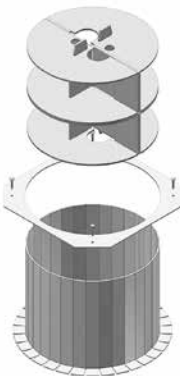
- BDVKK2
- KDVKK2
- KDVIT2
- KDVIRK2
- BDVITWD2

VEVV3: For square cover set

- BDVKK3
- KDVKK3
- KDVIT3, KDVITV3
- KDVIRK3
- BDVITWD3
- KDVITWD3, KDVITWDV3
- DVITWD3, DVITWDV3

VERV

Form element round



Standard finish

Polypropylene

HD	Reference	↑ mm	↔ mm	↗ mm	↘ mm	kg/piece	📦	Stock	Unit
-	VERV3	250	330		330	0.900	12	✓	piece

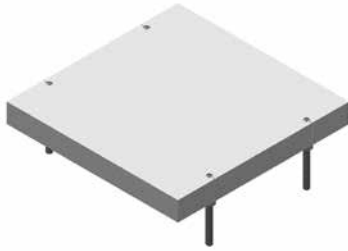
To order per full packaging.
Height screed: max. 298 mm

VERV3: For round cover set

- BDRKK3
- KDRKK3
- BDRITWD3
- DRITWD3
- DRIT3

VEVP

Form element polished concrete



To be fixed with the NEOT, VEVV, NEO.

Standard finish		expanded polystyrene							
HD	Reference	↑ mm	↔ mm	↔ mm	↔ mm	kg/piece	📦	Stock	Unit
-	VEVP2	-	189		264	0.211	1		piece
-	VEVP3	-	264		264	0.231	1	✓	piece

Mounted on the NEOT3 that is supplied with the cover at walking floor height.

VEVP2: For rectangular cover set

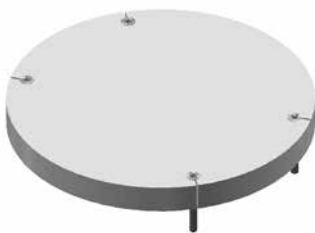
- KDVIT2
- BDVITWD2

VEVP3: For square cover set

- KDVIT3, KDVITV3
- BDVITWD3
- KDVITWD3, KDVITWDV3
- DVITWD3, DVITWDV3

VERP

Form element round polished concrete



Standard finish		expanded polystyrene							
HD	Reference	↑ mm	↔ mm	↔ mm	↔ mm	kg/piece	📦	Stock	Unit
-	VERP3	-				0.244	1		piece
Fix with:									
-	NEOT	-	-	-	-	-	-		-

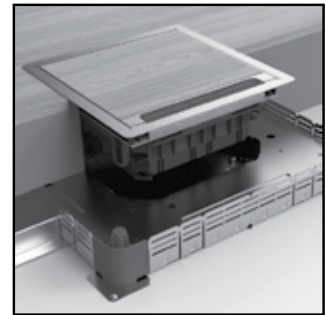
To be fixed with the NEOT, VEVV, NEO.

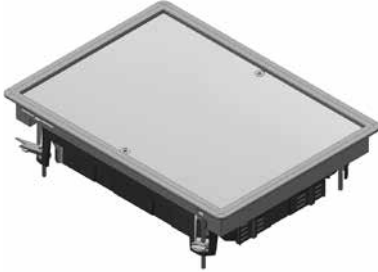
For round cover set

- BDRITWD3
- DRITWD3
- DRIT3

FLOOR INSTALLATIONS

Covers for concrete floor, not water resistant



BDVKK2**Blind cover rectangular, universal**

Color	grey RAL 7011 / Black RAL 9011
Max. load	1500 N (small surface area)
Max. load	2000 N (large surface area)
Non-active condition	IP 30
Depth of floor covering	Min. 5 mm - Max. 12 mm
Thickness steel plate	3 mm
Standard finish	Polypropylene

HD	Reference	↑ mm	↔ mm	↔ mm	↔ mm	kg/piece	📦	Stock	Unit
-	BDVKK2.5-7011	-	192		267	1.750	6	✓	piece
-	BDVKK2.5-9011	-	192		267	1.750	6	✓	piece

Tested to EN 50085-2-2.

Depth of floor covering is standard 5 mm and can be reduced by fitting packers OHEVB2.2 and/or OHEVB2.5.

Can be fixed through included universal clamps in screed floor.

For use in dry floors only.

KDVKK2

Hinged cover rectangular, universal



Build-in frame + hinged cover + cable outlet unit

Color	grey RAL 7011 / Black RAL 9011
Max. load	1500 N (small surface area)
Max. load	2000 N (large surface area)
Active condition	IP 20
Non-active condition	IP 30
Depth of floor covering	Min. 5 mm - Max. 12 mm
Thickness steel plate	3 mm
Standard finish	Polypropylene

HD	Reference	↑ mm	↔ mm	↔ mm	↔ mm	kg/piece	📦	Stock	Unit
-	KDVKK2.5-7011	-	192		267	1.650	6	✓	piece
-	KDVKK2.5-9011	-	192		267	1.650	6	✓	piece

Tested to EN 50085-2-2.

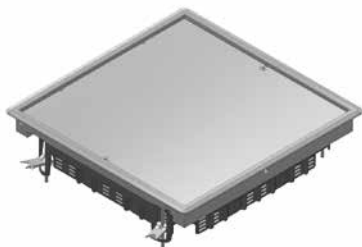
Hinged cover for 2 compartments.

Depth of floor covering is standard 5 mm and can be reduced by fitting packers OHEV2.2 and/or OHEV2.5.

Can be fixed through included universal clamps in screed floor.

Hinged cover is provided with 1 cable outlet with integrated push lever and cable organiser.
Hinged cover must not be earthed.

For use in dry floors only.

BDVKK3**Blind cover square, universal**

Color	grey RAL 7011 / Black RAL 9011
Max. load	1500 N (small surface area)
Max. load	2000 N (large surface area)
Non-active condition	IP 30
Depth of floor covering	Min. 5 mm - Max. 12 mm
Thickness steel plate	3 mm
Standard finish	Polypropylene

HD	Reference	↑ mm	↔ mm	↔ mm	↔ mm	kg/piece	📦	Stock	Unit
-	BDVKK3.5-7011	-	267		267	2.300	6	✓	piece
-	BDVKK3.5-9011	-	267		267	2.300	6	✓	piece

Tested to EN 50085-2-2.

Depth of floor covering is standard 5 mm and can be reduced by fitting packers OHEVB3.2 and/or OHEVB3.5.

Can be fixed through included universal clamps in screed floor.

For use in dry floors only.

KDVKK3

Hinged cover square, universal



Build-in frame + hinged cover + cable outlet unit

Color	grey RAL 7011 / Black RAL 9011
Max. load	1500 N (small surface area)
Max. load	2000 N (large surface area)
Active condition	IP 20
Non-active condition	IP 30
Depth of floor covering	Min. 5 mm - Max. 12 mm
Thickness steel plate	3 mm
Standard finish	Polypropylene

HD	Reference	↑ mm	↔ mm	↔ mm	↔ mm	kg/piece	⊞	Stock	Unit
-	KDVKK3.5-7011	-	267		267	2.200	6	✓	piece
-	KDVKK3.5-9011	-	267		267	2.200	6	✓	piece

Tested to EN 50085-2-2.

Hinged cover for 3 compartments.

Depth of floor covering is standard 5 mm and can be reduced by fitting packers OHEV3.2 and/or OHEV3.5.

Can be fixed through included universal clamps in screed floor.

Hinged cover is provided with 2 cable outlets with integrated push lever and 2 cable organisers. Hinged cover must not be earthed.

For use in dry floors only.

BDRKK3**Blind cover round, universal**

Color	grey RAL 7011 / Black RAL 9011
Max. load	1500 N (small surface area)
Max. load	2000 N (large surface area)
Non-active condition	IP 30
Depth of floor covering	Min. 5 mm - Max. 12 mm
Thickness steel plate	3 mm
Standard finish	Polypropylene

HD	Reference	↑ mm	↔ mm	↔ mm	↔ mm	kg/piece	📦	Stock	Unit
-	BDRKK3.5-7011	-	327		327	2.400	6	✓	piece
-	BDRKK3.5-9011	-	327		327	2.400	1		piece

Tested to EN 50085-2-2.

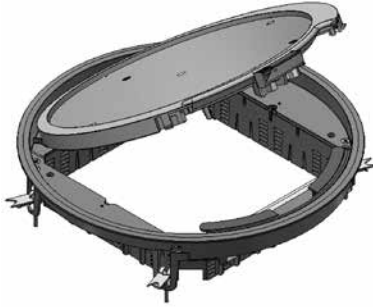
Depth of floor covering is standard 5 mm and can be reduced by fitting packers OHER3.2 and/or OHER3.5.

Can be fixed through included universal clamps in screed floor.

For use in dry floors only.

KDRKK3

Hinged cover round, universal



Build-in frame + hinged cover + cable outlet unit

Color	grey RAL 7011 / Black RAL 9011
Max. load	1500 N (small surface area)
Max. load	2000 N (large surface area)
Active condition	IP 20
Non-active condition	IP 30
Depth of floor covering	Min. 5 mm - Max. 12 mm
Thickness steel plate	3 mm
Standard finish	Polypropylene

HD	Reference	↑ mm	↔ mm	↔ mm	↔ mm	kg/piece	⊞	Stock	Unit
-	KDRKK3.5-7011	-	327		327	2.450	6	✓	piece
-	KDRKK3.5-9011	-	327		327	2.450	6	✓	piece

Tested to EN 50085-2-2.

Hinged cover for 3 compartments.

Depth of floor covering is standard 5 mm and can be reduced by fitting packers OHER3.2 and/or OHER3.5.

Can be fixed through included universal clamps in screed floor.

Hinged cover is provided with 2 cable outlets with integrated push lever and 2 cable organisers. Hinged cover must not be earthed.

For use in dry floors only.

KDVIT2**Hinged cover rectangular, Stainl. steel**

Build-in frame + tileframe + cable outlet + alu frame

Max. load 2000 N (small surface area)

Max. load 3000 N (large surface area)

Active condition IP 20

Non-active condition IP 30

Depth of floor covering Max. 26 mm

Standard finish Stainless Steel 304

HD	Reference	↑ mm	↔ mm	↔ mm	↔ mm	kg/piece	📦	Stock	Unit
-	KDVIT2	-	192		267	2.500	1	✓	piece

Tested to EN 50085-2-2.

Hinged cover for 2 compartments.

Depth of floor covering can be reduced by fitting packers OHEV2.2 and/or OHEV2.5.

Can be leveled by adjusting 4 bolts on included alu-frame NEOT2.

Hinged cover is provided with 1 cable outlet with integrated push lever and cable organiser.
Hinged cover is provided with an earthing strip between cover and frame.

A reinforcement kit KDVIZ2 is available to support heavy loads.

For use in dry floors only.

KDVIRK2

Hinged cover rectangular, with border



Build-in frame with border + tileframe + cable outlet

Max. load	2000 N (small surface area)
Max. load	3000 N (large surface area)
Active condition	IP 20
Non-active condition	IP 30
Depth of floor covering	Max. 26 mm
Standard finish	Stainless Steel 304

HD	Reference	mm	mm	mm	mm	kg/piece	Stock	Unit
-	KDVIRK2	-	192		267	2.125	1	piece

Tested to EN 50085-2-2.

Hinged cover for 2 compartments.

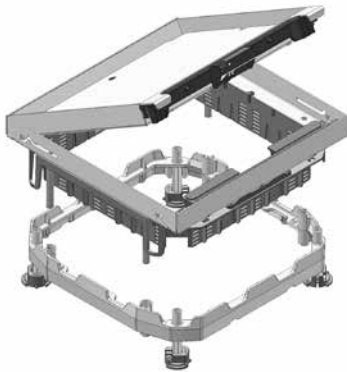
Depth of floor covering can be reduced by fitting packers OHEV2.2 and/or OHEV2.5

Can be fixed through included universal clamps in screed floor.

Hinged cover is provided with 1 cable outlet with integrated push lever and cable organiser.
Hinged cover is provided with an earthing strip between cover and frame.

A reinforcement kit KDVIZ2 is available to support heavy loads.

For use in dry floors only.

KDVIT3**Hinged cover square, stainless steel**

Build-in frame + tileframe + cable outlet + alu frame

Max. load 2000 N (small surface area)

Max. load 3000 N (large surface area)

Active condition IP 20

Non-active condition IP 30

Depth of floor covering Max. 26 mm

Standard finish Stainless Steel 304

HD	Reference	↑ mm	↔ mm	↔ mm	↔ mm	kg/piece	📦	Stock	Unit
-	KDVIT3	-	267		267	3.100	1	✓	piece

Tested to EN 50085-2-2.

Hinged cover for 3 compartments.

Depth of floor covering can be reduced by fitting packers OHEV3.2 and/or OHEV3.5.

Can be leveled by adjusting 4 bolts on included alu-frame NEOT3.

Hinged cover is provided with 2 cable outlets with integrated push lever and 2 cable organisers.

Hinged cover is provided with an earthing strip between cover and frame.

A reinforcement kit KDVIZ3 is available to support heavy loads.

For use in dry floors only.

KDVITV3

Hinged cover square flat stainless steel



Build-in frame + tileframe + cable outlet + alu frame

Max. load 2000 N (small surface area)

Max. load 3000 N (large surface area)

Active condition IP 20

Non-active condition IP 30

Depth of floor covering Flat

Standard finish Stainless Steel 304

HD	Reference	↑ mm	↔ mm	↔ mm	↔ mm	kg/piece	📦	Stock	Unit
-	KDVITV3	-	267		267	3.350	1	✓	piece

Tested to EN 50085-2-2.

Hinged cover for 3 compartments.

Can be leveled by adjusting 4 bolts on included alu-frame NEOT3.

Hinged cover is provided with 2 cable outlets with integrated push lever and 2 cable organisers.

Hinged cover is provided with an earthing strip between cover and frame.

For use in dry floors only.

KDVIRK3**Hinged cover square, with border**

Build-in frame with border + tileframe + cable outlet

Max. load 2000 N (small surface area)

Max. load 3000 N (large surface area)

Active condition IP 20

Non-active condition IP 30

Depth of floor covering Max. 26 mm

Standard finish Stainless Steel 304

HD	Reference	↑ mm	↔ mm	↔ mm	↔ mm	kg/piece	📦	Stock	Unit
-	KDVIRK3	-	267		267	2.675	1	✓	piece

Tested to EN 50085-2-2.

Hinged cover for 3 compartments.

Depth of floor covering can be reduced by fitting packers OHEV3.2 and/or OHEV3.5

Can be fixed through included universal clamps in screed floor.

Hinged cover is provided with 2 cable outlets with integrated push lever and 2 cable organisers. Hinged cover is provided with an earthing strip between cover and frame.

A reinforcement kit KDVIZ3 is available to support heavy loads.

For use in dry floors only.

DRIT3

Cover round, lateral cable outlet



Build-in frame + tileframe + cable outlet + alu frame

Max. load 2000 N (small surface area)

Max. load 3000 N (large surface area)

Active condition IP 20

Non-active condition IP 30

Depth of floor covering Max. 26 mm

Standard finish Stainless Steel 304

HD	Reference	mm	mm	mm	mm	kg/piece		Stock	Unit
-	DRIT3	-	327		327	3.800	1	✓	piece

Tested to EN 50085-2-2.

Cover for 3 compartments.

Can be leveled by adjusting 4 bolts on included alu-frame NEOT3.

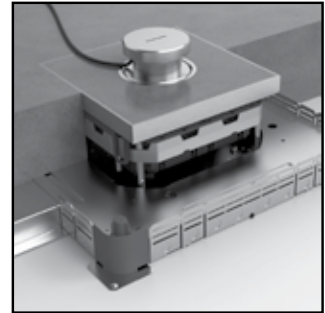
Cover is provided with 1 cable outlets with integrated push lever and cable organiser.

Cover is provided with an earthing strip between cover and frame.

For use in dry floors only.

FLOOR INSTALLATIONS

Covers for concrete floor, water resistant



BDVITWD2**Blind cover rectangular, water resistant**

Max. load	2000 N (small surface area)
Max. load	3000 N (large surface area)
Non-active condition	IP 53
Depth of floor covering	Max. 26 mm
Standard finish	Stainless Steel 304

HD	Reference	↑ mm	↔ mm	↔ mm	↔ mm	kg/piece	📦	Stock	Unit
-	BDVITWD2	-	192		267	2.250	1	✓	piece

Tested to EN 50085-2-2.

Depth of floor covering can be reduced by fitting packers OHEVB2.2 and OHEVB2.5.

Can be leveled by adjusting 4 bolts on included alu-frame NEOT2.

Mounting without hinges.

Cover can be mounted into cover frame in 2 directions.

A reinforcement kit BDVIZ2 is available to support heavy loads.

Ideal for wet areas.

BDVITWD3

Blind cover square, water resistant



Max. load	2000 N (small surface area)
Max. load	3000 N (large surface area)
Non-active condition	IP 53
Depth of floor covering	Max. 26 mm
Standard finish	Stainless Steel 304

HD	Reference	↑ mm	↔ mm	↔ mm	↔ mm	kg/piece	📦	Stock	Unit
-	BDVITWD3	-	267		267	2.750	1	✓	piece

Tested to EN 50085-2-2.

Depth of floor covering can be reduced by fitting packers OHEVB3.2 and/or OHEVB3.5.

Can be leveled by adjusting 4 bolts on included alu-frame NEOT3.
Mounting without hinges.
Cover can be mounted into cover frame in 4 directions.

A reinforcement kit is available to support heavy loads BDVIZ3.

Ideal for wet areas.

DVITWD3**Tile-cassette square, water resistant**

Build-in frame + tileframe + water resistant cable outlet + alu frame

Max. load 2000 N (small surface area)

Max. load 3000 N (large surface area)

Active condition IP 23

Non-active condition IP 53

Depth of floor covering Max. 26 mm

Standard finish Stainless Steel 304

HD	Reference	↑ mm	↔ mm	↔ mm	↔ mm	kg/piece	📦	Stock	Unit
-	DVITWD3	-	267		267	3.100	1	✓	piece

Tested to EN 50085-2-2.

Cover for 3 compartments.

Can be leveled by adjusting 4 bolts on included alu-frame NEOT3.

Mounting without hinges.

Cover can be mounted into cover frame in 4 directions.

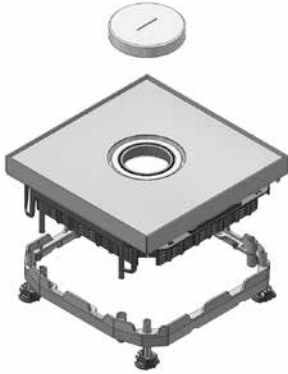
Cover is provided with a watertight cable exit and an aluminium screwcover. This can be extended with a cable exit tube (KUWDT) which guarantees watertightness when in use.

Cover is provided with an earthing strip between cover and frame.

Ideal for wet areas.

DVITWDV3

Tile-cassette square flat water resistant



Build-in frame + tileframe + water resistant cable outlet + alu frame

Max. load 2000 N (small surface area)

Max. load 3000 N (large surface area)

Active condition IP 23

Non-active condition IP 53

Depth of floor covering Flat

Standard finish Stainless Steel 304

HD	Reference	↑ mm	↔ mm	↔ mm	↔ mm	kg/piece	📦	Stock	Unit
-	DVITWDV3	-	267		267	3.800	1	✓	piece

Tested to EN 50085-2-2.

Cover for 3 compartments.

Can be leveled by adjusting 4 bolts on included alu-frame NEOT3.

Mounting without hinges.

Cover can be mounted into cover frame in 4 directions.

Cover is provided with a watertight cable exit and an aluminium screwcover. This can be extended with a cable exit tube (KUWDT) which guarantees watertightness when in use.

Cover is provided with an earthing strip between cover and frame.

Ideal for wet areas.

KDVITWD3**Hinged cover square, water resistant**

Build-in frame + tileframe + water resistant cable outlet + alu frame

Max. load 2000 N (small surface area)

Max. load 3000 N (large surface area)

Active condition IP 23

Non-active condition IP 53

Depth of floor covering Max. 26 mm

Standard finish Stainless Steel 304

HD	Reference	↑ mm	↔ mm	↔ mm	↔ mm	kg/piece	📦	Stock	Unit
-	KDVITWD3	-	267		267	3.800	1	✓	piece

Tested to EN 50085-2-2.

Hinged cover for 3 compartments.

Can be leveled by adjusting 4 bolts on included alu-frame NEOT3.

Cover can be mounted into cover frame in 1 direction.

Hinged cover is provided with a watertight cable exit and an aluminium screwcover. This can be extended with a cable exit tube (KUWDT) which guarantees watertightness when in use.

Hinged cover is provided with an earthing strip between cover and frame.

Ideal for wet areas.

KDVITWDV3

Hinged cover square flat water resistant



Build-in frame + tileframe + water resistant cable outlet + alu frame

Max. load 2000 N (small surface area)

Max. load 3000 N (large surface area)

Active condition IP 23

Non-active condition IP 53

Depth of floor covering Flat

Standard finish Stainless Steel 304

HD	Reference	↑ mm	↔ mm	↔ mm	↔ mm	kg/piece	📦	Stock	Unit
-	KDVITWDV3	-	267		267	3.100	1	✓	piece

Tested to EN 50085-2-2.

Hinged cover for 3 compartments.

Can be leveled by adjusting 4 bolts on included alu-frame NEOT3.

Cover can be mounted into cover frame in 1 direction.

Hinged cover is provided with a watertight cable exit and an aluminium screwcover. This can be extended with a cable exit tube (KUWDT) which guarantees watertightness when in use.

Hinged cover is provided with an earthing strip between cover and frame.

Ideal for wet areas.

BDRITWD3**Blind cover round, water resistant**

Max. load	2000 N (small surface area)
Max. load	3000 N (large surface area)
Non-active condition	IP 53
Depth of floor covering	Max. 26 mm
Standard finish	Stainless Steel 304

HD	Reference	↑ mm	↔ mm	↔ mm	↔ mm	kg/piece	📦	Stock	Unit
-	BDRITWD3	-	327		327	2.825	1	✓	piece

Tested to EN 50085-2-2.

Depth of floor covering can be reduced by fitting packers OHER3.2 and/or OHER3.5.

Can be leveled by adjusting 4 bolts on included alu-frame NEOT3.
Mounting without hinges.

Ideal for wet areas.

DRITWD3

Cover round, watertight cable outlet



Build-in frame + tileframe + water resistant cable outlet + alu frame

Max. load 2000 N (small surface area)

Max. load 3000 N (large surface area)

Active condition IP 23

Non-active condition IP 53

Depth of floor covering Max. 26 mm

Standard finish Stainless Steel 304

HD	Reference	↑ mm	↔ mm	↔ mm	↔ mm	kg/piece	📦	Stock	Unit
-	DRITWD3	-	327		327	3.350	1	✓	piece

Tested to EN 50085-2-2.

Cover for 3 compartment boxes.

Can be leveled by adjusting 4 bolts on included alu-frame NEOT3.
Mounting without hinges.

Cover is provided with a watertight cable exit and an aluminium screwcover. This can be extended with a cable exit tube (KUWDT) which guarantees watertightness when in use.
Cover is provided with an earthing strip between cover and frame.

Ideal for wet areas.

KUWDT

Tube for water resistant cable exit



For water resistant covers

Standard finish

Aluminium

HD	Reference	↑ mm	↔ mm	↔ mm	↔ mm	kg/piece	📦	Stock	Unit
-	KUWDT	-				0.170	1	✓	piece

Tested to EN 50085-2-2.

Can be screwed into alu-ring of cover.

The tube protects against ingress of water to a depth of 30mm.

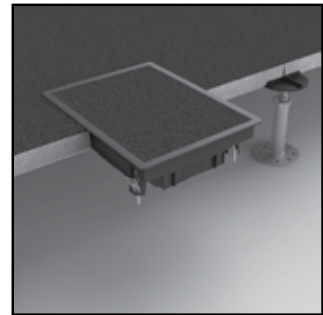
The tube is covered with the aluminium screw-on cover of the cover.

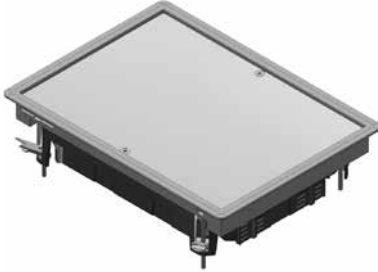
This cover protects against ingress of water coming from all directions.

When not in use, the tube can be stored underneath the aluminium ring of the cover.

FLOOR INSTALLATIONS

Covers for raised floor, not water resistant



BDVKK2**Blind cover rectangular, universal**

Color	grey RAL 7011 / Black RAL 9011
Max. load	1500 N (small surface area)
Max. load	2000 N (large surface area)
Non-active condition	IP 30
Depth of floor covering	Min. 5 mm - Max. 12 mm
Thickness steel plate	3 mm
Standard finish	Polypropylene

HD	Reference	↑ mm	↔ mm	↔ mm	↔ mm	kg/piece	📦	Stock	Unit
-	BDVKK2.5-7011	-	192		267	1.750	6	✓	piece
-	BDVKK2.5-9011	-	192		267	1.750	1	✓	piece

Tested to EN 50085-2-2.

Depth of floor covering is standard 5 mm and can be reduced by fitting packers OHEVB2.2 and/or OHEVB2.5.

Can be fixed through included universal clamps in raised floor panels.

- Cut-outs in the floor panels 270x195 mm (with a tolerance of -1 mm to +2 mm).
- Clamp range between 30 and 50 mm

For use in dry floors only.

KDVKK2

Hinged cover rectangular, universal



Build-in frame + hinged cover + cable outlet unit

Color	grey RAL 7011 / Black RAL 9011
Max. load	1500 N (small surface area)
Max. load	2000 N (large surface area)
Active condition	IP 20
Non-active condition	IP 30
Depth of floor covering	Min. 5 mm - Max. 12 mm
Thickness steel plate	3 mm
Standard finish	Polypropylene

HD	Reference	↑ mm	↔ mm	↔ mm	↔ mm	kg/piece	⊞	Stock	Unit
-	KDVKK2.5-7011	-	192		267	1.650	6	✓	piece
-	KDVKK2.5-9011	-	192		267	1.650	1	✓	piece

Tested to EN 50085-2-2.

Hinged cover for 2 compartments.

Depth of floor covering is standard 5 mm and can be reduced by fitting packers OHEV2.2 and/or OHEV2.5.

- Can be fixed through included universal clamps in raised floor panels.
- Cut-outs in the floor panels 270x195 mm (with a tolerance of -1 mm to +2 mm).
 - Clamp range between 30 and 50 mm

Hinged cover is provided with 1 cable outlet with integrated push lever and cable organiser.
Hinged cover must not be earthed.

For use in dry floors only.

KDVIRK2**Hinged cover rectangular, with border**

Build-in frame with border + tileframe + cable outlet

Max. load 2000 N (small surface area)

Max. load 3000 N (large surface area)

Active condition IP 20

Non-active condition IP 30

Depth of floor covering Max. 26 mm

Standard finish Stainless Steel 304

HD	Reference	↑ mm	↔ mm	↔ mm	↔ mm	kg/piece	📦	Stock	Unit
-	KDVIRK2	-	192		267	2.125	1	✓	piece

Tested to EN 50085-2-2.

Hinged cover for 2 compartments.

Depth of floor covering can be reduced by fitting packers OHEV2.2 and/or OHEV2.5

Can be fixed through included universal clamps in raised floor panels.

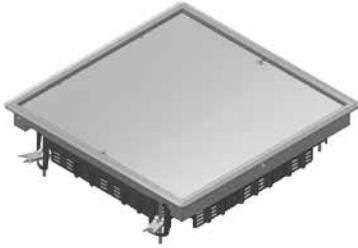
- Cut-outs in the floor panels 270x195 mm (with a tolerance of -1 mm to +2 mm).
- clamp range between 30 and 50 mm

Hinged cover is provided with 2 cable outlets with integrated push lever and cable organiser.
Hinged cover is provided with an earthing strip between cover and frame.

For use in dry floors only.

BDVKK3

Blind cover square, universal



Color	grey RAL 7011 / Black RAL 9011
Max. load	1500 N (small surface area)
Max. load	2000 N (large surface area)
Non-active condition	IP 30
Depth of floor covering	Min. 5 mm - Max. 12 mm
Thickness steel plate	3 mm
Standard finish	Polypropylene

HD	Reference	↑ mm	↔ mm	↔ mm	↔ mm	kg/piece	⊞	Stock	Unit
-	BDVKK3.5-7011	-	267		267	2.300	6	✓	piece
-	BDVKK3.5-9011	-	267		267	2.300	6	✓	piece

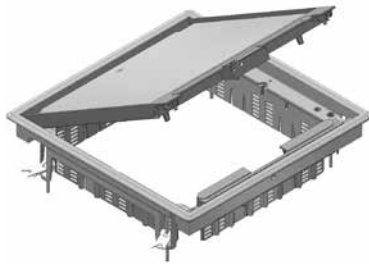
Tested to EN 50085-2-2.

Depth of floor covering is standard 5 mm and can be reduced by fitting packers OHEVB3.2 and/or OHEVB3.5.

Can be fixed through included universal clamps in raised floor panels.

- Cut-outs in the floor panels 270x270 mm (with a tolerance of -1 mm to +2 mm).
- Clamping range 30 to 50 mm

For use in dry floors only.

KDVKK3**Hinged cover square, universal**

Build-in frame + hinged cover + cable outlet unit

Color	grey RAL 7011 / Black RAL 9011
Max. load	1500 N (small surface area)
Max. load	2000 N (large surface area)
Active condition	IP 20
Non-active condition	IP 30
Depth of floor covering	Min. 5 mm - Max. 12 mm
Thickness steel plate	3 mm
Standard finish	Polypropylene

HD	Reference	↑ mm	↔ mm	↔ mm	↔ mm	kg/piece	📦	Stock	Unit
-	KDVKK3.5-7011	-	267		267	2.200	6	✓	piece
-	KDVKK3.5-9011	-	267		267	2.200	1	✓	piece

Tested to EN 50085-2-2.

Hinged cover for 3 compartments.

Depth of floor covering is standard 5 mm and can be reduced by fitting packers OHEV3.2 and/or OHEV3.5.

Can be fixed through included universal clamps in raised floor panels.

- Cut-outs in the floor panels 270x270 mm (with a tolerance of -1 mm to +2 mm).
- Clamping range 30 to 50 mm

Hinged cover is provided with 2 cable outlets with integrated push lever and cable organiser. Hinged cover must not be earthed.

For use in dry floors only.

KDVIRK3

Hinged cover square, with border



Build-in frame with border + tileframe + cable outlet

Max. load	2000 N (small surface area)
Max. load	3000 N (large surface area)
Active condition	IP 20
Non-active condition	IP 30
Depth of floor covering	Max. 26 mm
Standard finish	Stainless Steel 304

HD	Reference	mm	mm	mm	mm	kg/piece	Stock	Unit
-	KDVIRK3	-	267		267	2.675	1	piece

Tested to EN 50085-2-2.

Hinged cover for 3 compartments.

Depth of floor covering can be reduced by fitting packers OHEV3.2 and/or OHEV3.5

Can be fixed through included universal clamps in raised floor panels.

- Cut-outs in the floor panels 270x270 mm (with a tolerance of -1 mm to +2 mm).
- Clamp range between 30 and 50 mm

Hinged cover is provided with 2 cable outlets with integrated push lever and cable organiser.
Hinged cover is provided with an earthing strip between cover and frame.

For use in dry floors only.

BDRKK3**Blind cover round, universal**

Color	grey RAL 7011 / Black RAL 9011
Max. load	1500 N (small surface area)
Max. load	2000 N (large surface area)
Non-active condition	IP 30
Depth of floor covering	Min. 5 mm - Max. 12 mm
Thickness steel plate	3 mm
Standard finish	Polypropylene

HD	Reference	↑ mm	↔ mm	↔ mm	↔ mm	kg/piece	📦	Stock	Unit
-	BDRKK3.5-7011	-	327		327	2.400	6	✓	piece
-	BDRKK3.5-9011	-	327		327	2.400	1		piece

Tested to EN 50085-2-2.

Depth of floor covering is standard 5 mm and can be reduced by fitting packers OHER3.2 and/or OHER3.5.

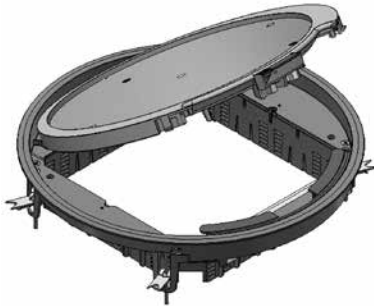
Can be fixed through included universal clamps in raised floor panels.

- Cut-outs in the floor panels diameter 330 mm (with a tolerance of -1 mm to +2 mm).
- Clamp range between 30 and 50 mm.

For use in dry floors only.

KDRKK3

Hinged cover round, universal



Build-in frame + hinged cover + cable outlet unit

Color	grey RAL 7011 / Black RAL 9011
Max. load	1500 N (small surface area)
Max. load	2000 N (large surface area)
Active condition	IP 20
Non-active condition	IP 30
Depth of floor covering	Min. 5 mm - Max. 12 mm
Thickness steel plate	3 mm
Standard finish	Polypropylene

HD	Reference	↑ mm	↔ mm	↔ mm	↔ mm	kg/piece	⊞	Stock	Unit
-	KDRKK3.5-7011	-	327		327	2.450	6	✓	piece
-	KDRKK3.5-9011	-	327		327	2.450	1	✓	piece

Tested to EN 50085-2-2.

Hinged cover for 3 compartments.

Depth of floor covering is standard 5 mm and can be reduced by fitting packers OHER3.2 and/or OHER3.5.

Can be fixed through included universal clamps in raised floor panels.

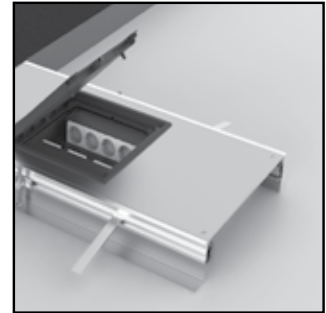
- Cut-outs in the floor panels diameter 330 mm (with a tolerance of -1 mm to +2 mm).
- Clamp range between 30 and 50 mm

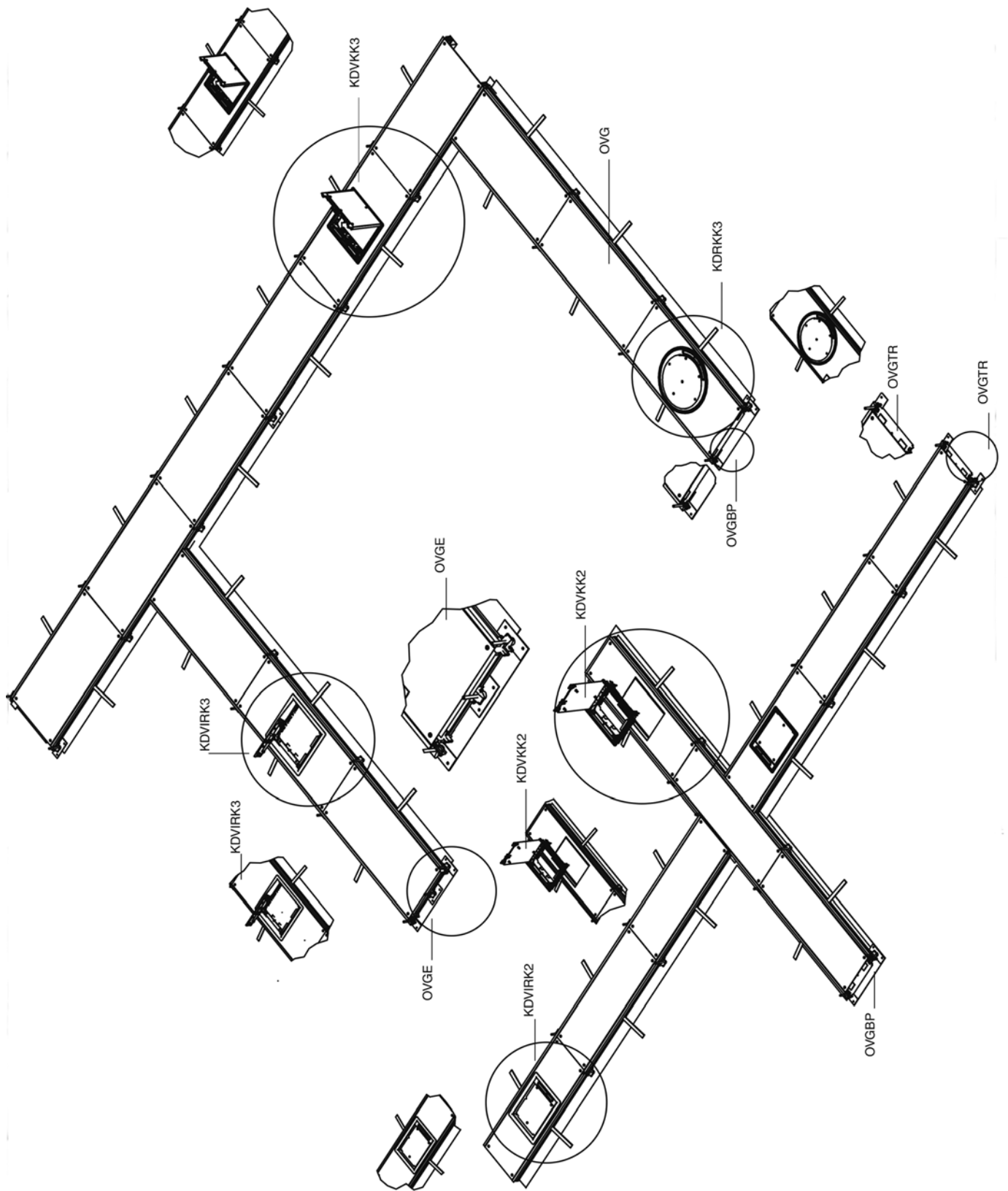
Hinged cover is provided with 2 cable outlets with integrated push lever and cable organiser. Hinged cover must not be earthed.

For use in dry floors only.

FLOOR INSTALLATIONS

Flush floor trunking system





OVG

Open flush floor trunking



Ideal for frequent addition or removal of cables. For both new constructions and renovations.

To order till height 150 mm

HD	Reference	↑ mm	↔ mm	↔ mm	↔ mm	kg/m	⊞	Stock	Unit
-	OVG250.3	-	250		2400	9.406	24	✓	m
-	OVG350.3	-	350		2400	11.986	24	✓	m
-	OVG450.4	-	450		2400	19.228	24	✓	m

The technical information for this product can be found at the end of this chapter.

Tested according EN 50085-2-2.

- Used in screeded floors to be finished with carpet or vinyl.
- Levelling range: 55 to 110 mm.
- Hinged covers can be mounted from levelling height 70 mm.
- Universal side for all levelling heights.
- Straightforward assembly of accessories with plastic corner connector.

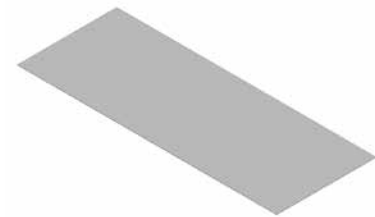
Each flush floor trunking comes standard with the following products:

- 2 Extrusion profile (OVGP)
- 2 Universal sides (OVGZ)
- 3 Cross bars (OVGTR)
- 2 Carpet borders (OVGTAP)*
- 3 Sealed covers (DOVG)
- 6 Levelling pieces
- 16 Taperedhead metal screws (ST48x23)
- 6 Screed anchor (OVGAN)
- 12 Tapered head bolts (BZ5.16)
- 6 Levelling screws
- 2 Baseplates (OVGVST)

* Gauge of OVGTAP depends on the gauge of the cover.

OVGBP

Bottom plate



Standard finish

Pre-galvanised

HD	Reference	↑ mm	↔ mm	↔ mm	↔ mm	kg/piece	⊞	Stock	Unit
-	OVGBP250	-	380		1250	2.775	10	✓	piece
-	OVGBP350	-	480		1250	3.506	10	✓	piece
-	OVGBP450	-	580		1250	4.238	10	✓	piece

To order per full packaging.

DOVG

Cover for flush floor trunking



Standard finish

Pre-galvanised

HD	Reference	↑ mm	↔ mm	↔ mm	↔ mm	kg/piece	⊞	Stock	Unit
-	DOVG250.3	-	250	3.00	800	4.725	1		piece
-	DOVG350.3	-	350	3.00	800	6.603	1		piece
-	DOVG450.4	-	450	4.00	800	12.218	1		piece

DOVGV.2

Cover for flush floor trunking



For hinged cover KDVKK2 and KDVIK2.

Standard finish

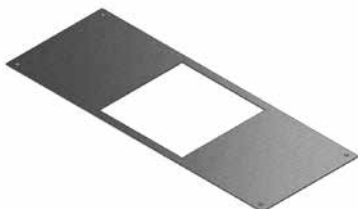
Pre-galvanised

HD	Reference	↑ mm	↔ mm	↔ mm	↔ mm	kg/piece	⊞	Stock	Unit
-	DOVGV250.3.2	-	250	3.00	800	3.313	1		piece

Replace the clamps of the hinged cover by the enclosed clamps of the DOVG. Replace the cover where you want to mount the flush mounting unit with a cover for the relevant flush mounting unit. Place the flush mounting unit in the opening provided. Fasten the flush mounting unit by tightening the clamps.

DOVGV.3

Cover for flush floor trunking



For hinged cover KDVKK3 and KDVIK3.

Standard finish

Pre-galvanised

HD	Reference	↑ mm	↔ mm	↔ mm	↔ mm	kg/piece	⊞	Stock	Unit
-	DOVGV350.3.3	-	350	3.00	800	4.783	1		piece
-	DOVGV450.4.3	-	450	4.00	800	8.843	1		piece

Replace the clamps of the hinged cover by the enclosed clamps of the DOVG. Replace the cover where you want to mount the flush mounting unit with a cover for the relevant flush mounting unit. Place the flush mounting unit in the opening provided. Fasten the flush mounting unit by tightening the clamps.

DOVGR.3

Cover for flush floor trunking



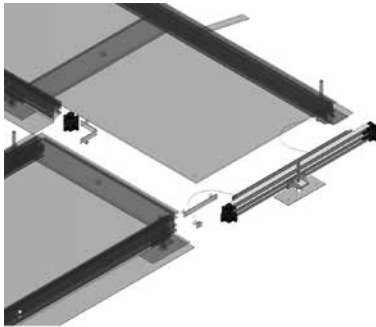
For hinged cover KDRKK3.

Standard finish		Pre-galvanised							
HD	Reference	↑ mm	↔ mm	↔ mm	↔ mm	kg/piece	⊞	Stock	Unit
-	DOVGR450.4.3	-	450	4.00	800	9.450	1		piece

Replace the clamps of the hinged cover by the enclosed clamps of the DOVG. Replace the cover where you want to mount the flush mounting unit with a cover for the relevant flush mounting unit. Place the flush mounting unit in the opening provided. Fasten the flush mounting unit by tightening the clamps.

OVGB

Bend for flush floor trunking



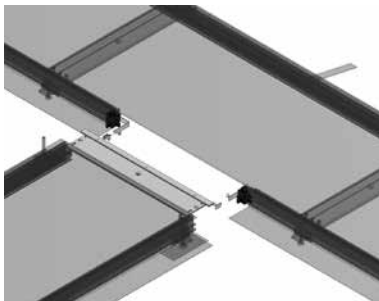
Connection angle (OVGHV) + end part (OVGE) + crossbar + 2 earth conductors (OVGEQ - OVGEQH).

HD	Reference	↑ mm	↔ mm	↔ mm	↔ mm	kg/piece	⊞	Stock	Unit
-	OVGB250.3	-	250		-	1.011	1	✓	piece
-	OVGB350.3	-	350		-	1.307	1	✓	piece
-	OVGB450.4	-	450		-	1.661	1	✓	piece

The technical information for this product can be found at the end of this chapter.

OVGT

T-piece for flush floor trunking



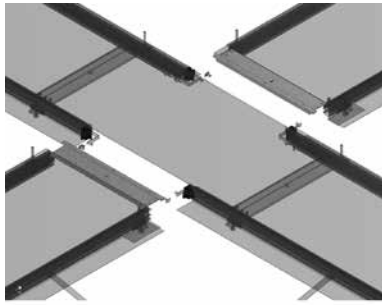
2 connection angles (OVGHV) + crossbar + 2 earth conductor clamps (OVGEQH)

HD	Reference	↑ mm	↔ mm	↔ mm	↔ mm	kg/piece	⊞	Stock	Unit
-	OVGT250.3	-	250		-	0.466	1	✓	piece
-	OVGT350.3	-	350		-	0.799	1	✓	piece
-	OVGT450.4	-	450		-	1.073	1	✓	piece

The technical information for this product can be found at the end of this chapter.

OVGK

Cross piece for flush floor trunking



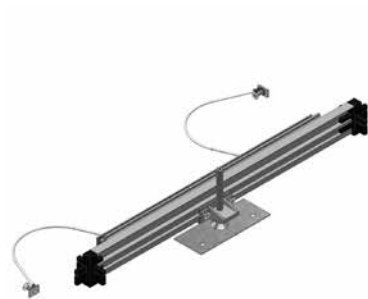
4 connection angles (OVGHV) + 2 crossbars + 4 earth conductor clamps (OVGEQH)

HD	Reference	↑ mm	↔ mm	↔ mm	↔ mm	kg/piece	📦	Stock	Unit
-	OVGK250.3	-	250		-	1.166	1	✓	piece
-	OVGK350.3	-	350		-	1.598	1	✓	piece
-	OVGK450.4	-	450		-	2.146	1	✓	piece

The technical information for this product can be found at the end of this chapter.

OVGE

End part for flush floor trunking



2 connection angles (OVGHV) + end part + bottom (OVGVST) + 2 earthing straps.

HD	Reference	↑ mm	↔ mm	↔ mm	↔ mm	kg/piece	📦	Stock	Unit
-	OVGE250.3	-	250		-	0.438	1	✓	piece
-	OVGE350.3	-	350		-	0.518	1	✓	piece
-	OVGE450.4	-	450		-	0.598	1	✓	piece

The technical information for this product can be found at the end of this chapter.

For sealing the end of your open flush floor trunking.

These are slide into the conduit using the 2 plastic corner connectors. Level it so that the unit is properly supported. Connect the earthing cables.

KDVKK2

Hinged cover rectangular, universal



Build-in frame + hinged cover + cable outlet unit

Color	grey RAL 7011 / Black RAL 9011
Max. load	1500 N (small surface area)
Max. load	2000 N (large surface area)
Active condition	IP 20
Non-active condition	IP 30
Depth of floor covering	Min. 5 mm - Max. 12 mm
Thickness steel plate	3 mm
Standard finish	Polypropylene

HD	Reference	↑ mm	↔ mm	↔ mm	↔ mm	kg/piece	⊞	Stock	Unit
-	KDVKK2.5-7011	-	192		267	1.650	6	✓	piece
-	KDVKK2.5-9011	-	192		267	1.650	1	✓	piece

Tested to EN 50085-2-2.

Hinged cover for 2 compartments.

Depth of floor covering is standard 5 mm and can be reduced by fitting packers OHEV2.2 and/or OHEV2.5.

Replace the clamps of the hinged cover by the enclosed clamps of the DOVG.

Hinged cover is provided with 1 cable outlet with integrated push lever and cable organiser.
Hinged cover must not be earthed.

For use in dry floors only.

KDVIRK2

Hinged cover rectangular, with border



Build-in frame with border + tileframe + cable outlet

Max. load	2000 N (small surface area)
Max. load	3000 N (large surface area)
Active condition	IP 20
Non-active condition	IP 30
Depth of floor covering	Max. 26 mm
Standard finish	Stainless Steel 304

HD	Reference	↑ mm	↔ mm	↔ mm	↔ mm	kg/piece	📦	Stock	Unit
-	KDVIRK2	-	192		267	2.125	1	✓	piece

Tested to EN 50085-2-2.

Hinged cover for 2 compartments.

Depth of floor covering can be reduced by fitting packers OHEV2.2 and/or OHEV2.5

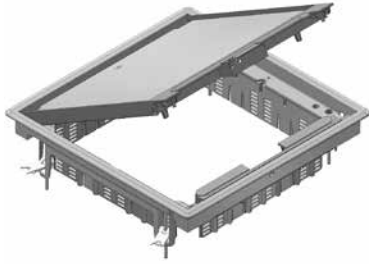
Replace the clamps of the hinged cover by the enclosed clamps of the DOVG.

Hinged cover is provided with 2 cable outlets with integrated push lever and cable organiser.
Hinged cover is provided with an earthing strip between cover and frame.

For use in dry floors only.

KDVKK3

Hinged cover square, universal



Build-in frame + hinged cover + cable outlet unit

Color	grey RAL 7011 / Black RAL 9011
Max. load	1500 N (small surface area)
Max. load	2000 N (large surface area)
Active condition	IP 20
Non-active condition	IP 30
Depth of floor covering	Min. 5 mm - Max. 12 mm
Thickness steel plate	3 mm
Standard finish	Polypropylene

HD	Reference	↑ mm	↔ mm	↔ mm	↔ mm	kg/piece	⊞	Stock	Unit
-	KDVKK3.5-7011	-	267		267	2.200	6	✓	piece
-	KDVKK3.5-9011	-	267		267	2.200	1	✓	piece

Tested to EN 50085-2-2.

Hinged cover for 3 compartments.

Depth of floor covering is standard 5 mm and can be reduced by fitting packers OHEV3.2 and/or OHEV3.5.

Replace the clamps of the hinged cover by the enclosed clamps of the DOVG.

Hinged cover is provided with 2 cable outlets with integrated push lever and cable organiser. Hinged cover must not be earthed.

For use in dry floors only.

KDVIRK3

Hinged cover square, with border



Build-in frame with border + tileframe + cable outlet

Max. load 2000 N (small surface area)

Max. load 3000 N (large surface area)

Active condition IP 20

Non-active condition IP 30

Depth of floor covering Max. 26 mm

Standard finish Stainless Steel 304

HD	Reference	↑ mm	↔ mm	↔ mm	↔ mm	kg/piece	📦	Stock	Unit
-	KDVIRK3	-	267		267	2.675	1	✓	piece

Tested to EN 50085-2-2.

Hinged cover for 3 compartments.

Depth of floor covering can be reduced by fitting packers OHEV3.2 and/or OHEV3.5

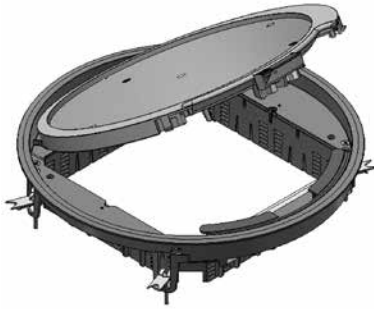
Replace the clamps of the hinged cover by the enclosed clamps of the DOVG.

Hinged cover is provided with 2 cable outlets with integrated push lever and cable organiser.
Hinged cover is provided with an earthing strip between cover and frame.

For use in dry floors only.

KDRKK3

Hinged cover round, universal



Build-in frame + hinged cover + cable outlet unit

Color	grey RAL 7011 / Black RAL 9011
Max. load	1500 N (small surface area)
Max. load	2000 N (large surface area)
Active condition	IP 20
Non-active condition	IP 30
Depth of floor covering	Min. 5 mm - Max. 12 mm
Thickness steel plate	3 mm
Standard finish	Polypropylene

HD	Reference	mm	mm	mm	mm	kg/piece	Stock	Unit
-	KDRKK3.5-7011	-	327		327	2.450	6	✓ piece
-	KDRKK3.5-9011	-	327		327	2.450	1	✓ piece

Tested to EN 50085-2-2.

Hinged cover for 3 compartments.

Depth of floor covering is standard 5 mm and can be reduced by fitting packers OHER3.2 and/or OHER3.5.

Replace the clamps of the hinged cover by the enclosed clamps of the DOVG.

Hinged cover is provided with 2 cable outlets with integrated push lever and cable organiser.
Hinged cover must not be earthed.

For use in dry floors only.

OVGZ

Universal side for flush floor trunking



Color	Black RAL 9011
Standard finish	Polyvinyl chloride

HD	Reference	↑ mm	↔ mm	↔ mm	↔ mm	kg/m	⊞	Stock	Unit
-	OVGZ	-			2400	0.370	24		m

OVGP

Extrusion profile flush floor trunking



Standard finish	Aluminium
-----------------	-----------

HD	Reference	↑ mm	↔ mm	↔ mm	↔ mm	kg/m	⊞	Stock	Unit
-	OVGP4	-			2400	0.803	24		m

OVGTR

Crossbar for flush floor trunking



Additional support to mount the covers.

Standard finish	Pre-galvanised
-----------------	----------------

HD	Reference	↑ mm	↔ mm	↔ mm	↔ mm	kg/piece	⊞	Stock	Unit
-	OVGTR250	-	250		-	0.430	10		piece
-	OVGTR350	-	350		-	0.616	10		piece
-	OVGTR450	-	450		-	0.804	10		piece

To order per full packaging.

OVGVST

Bottom for flush floor trunking



HD	Reference	↑ mm	↔ mm	↔ mm	↔ mm	kg/piece	⊞	Stock	Unit
-	OVGVST	-				0.110	12		piece

To order per full packaging.

OVGAN

Screed anchor for flush floor trunking



Color black RAL 9011

Standard finish Polypropylene

HD	Reference	↑ mm	↔ mm	↔ mm	↔ mm	kg/piece	⊞	Stock	Unit
-	OVGAN	-				0.010	50		piece

6

OVGTAP

Carpet border for flush floor trunking



Color Black RAL 9011

Standard finish Polyvinyl chloride

HD	Reference	↑ mm	↔ mm	↔ mm	↔ mm	kg/m	⊞	Stock	Unit
-	OVGTAP3	-			2400	0.090	24		m
-	OVGTAP4	-			2400	0.084	24		m

OVGTAP3 for OVG250.3 and OVG350.3.
OVGTAP4 for OVG450.4.

OVGHV

Connection angle for flush trunking



Color Black RAL 9011

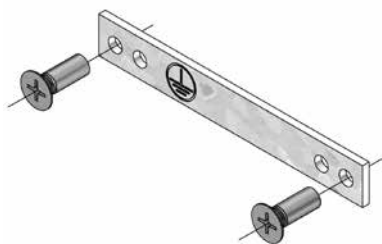
Standard finish Polypropylene

HD	Reference	↑ mm	↔ mm	↔ mm	↔ mm	kg/piece	📦	Stock	Unit
-	OVGHV	-				0.010	100		piece

To order per full packaging.

OVGEQ

Earth conductor clamp for flush trunking



Standard finish

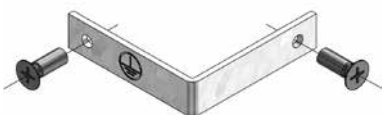
Pre-galvanised

HD	Reference	↑ mm	↔ mm	↔ mm	↔ mm	kg/piece	📦	Stock	Unit
-	OVGEQ	-				0.020	50		piece

To order per full packaging.

OVGEQH

Earth conductor clamp for flush trunking



Standard finish

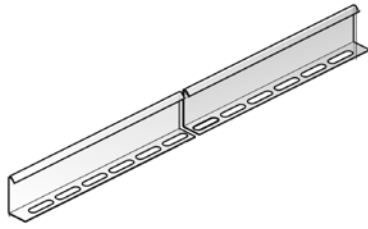
Pre-galvanised

HD	Reference	↑ mm	↔ mm	↔ mm	↔ mm	kg/piece	📦	Stock	Unit
-	OVGEQH	-				0.020	50		piece

To order per full packaging.

SLOS

Division plate free



Standard finish

Pre-galvanised

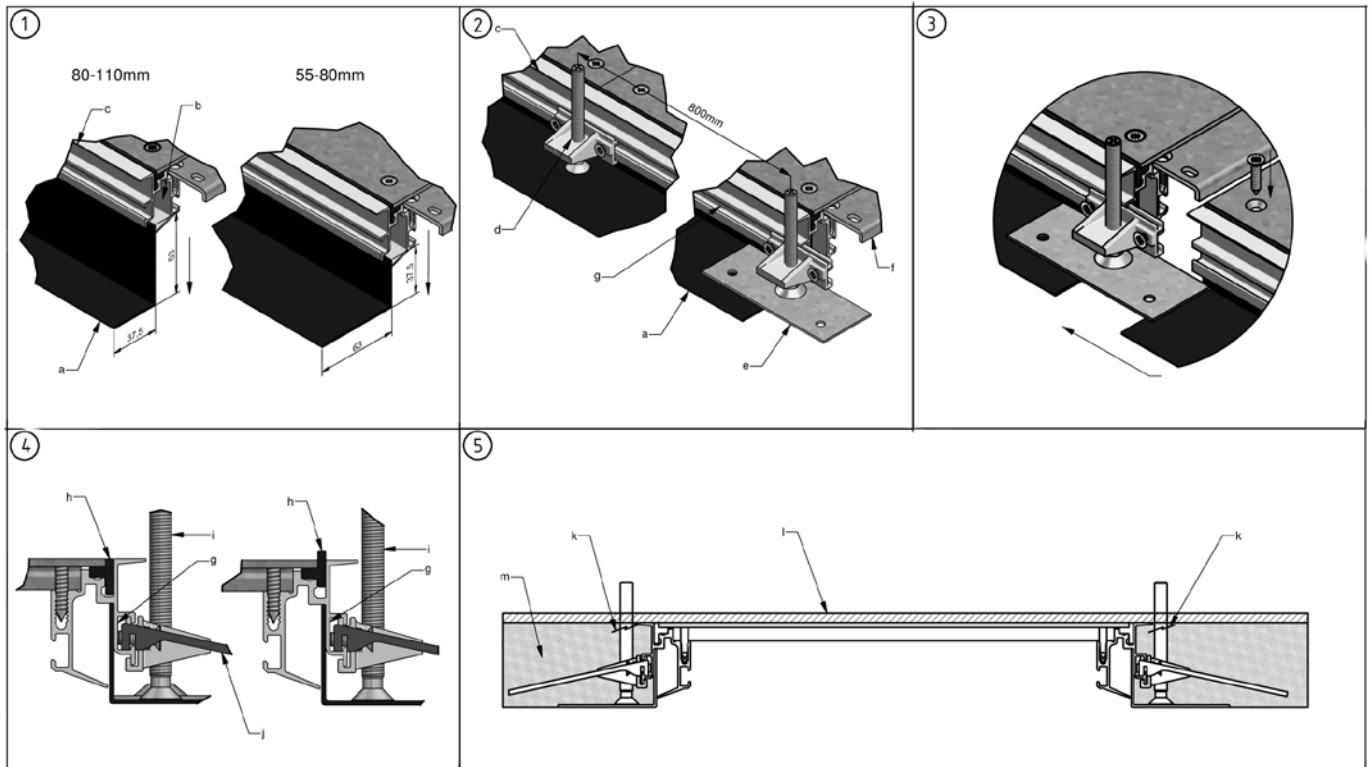
Optional finish HD

Hot-dip galvanised

HD	Reference	↑ mm	↔ mm	↔ mm	↔ mm	kg/m	⊞	Stock	Unit
HD	SLOS35	35			3000	0.330	150	✓	m
HD	SLOS60	60			3000	0.511	120	✓	m
HD	SLOS85	85			3000	0.680	60	✓	m
HD	SLOS110	110			3000	0.820	30	✓	m

OVG

Technical information



1) Slip the OVGZ (a) into the chamber (b) of the OVGPR (c). A levelling range of 55-80 mm is obtained by placing the OVGZ with its longest side on the ground. A levelling range of 80-110 mm is obtained by placing the OVGZ with its shortest side on the ground.

2) Mount 3 OGVSTs (d) per OVGPR (c). The 2 OGVST provided with a baseplate (e) are mounted at the end where an OVGTR (f) has been placed. These 2 OGVST must be positioned so that they overlap the duct with half of their length. The preassembled baseplates (e) must abut against the OVGZ (a). Mount the other OGVST at intervals of 800 mm. Extra OGVSTs can be easily added by hooking them into the slot provided (g) in the OVGPR.

3) The 2 OGVST which overlap the duct, will be used for coupling with the abutting length.

4) Determine how you will use the OVGTAPE 3 (h): flush mounted or not. Turn levelling screws (i) to the right for levelling up. Turn levelling screws (i) to the left for levelling down. Hook the OVGAN (j) into the slot (g) in the OVGPR. Make sure to seal up any openings with adhesive tape.

5) The system can now be filled with screed (m) and subsequently finished (l).

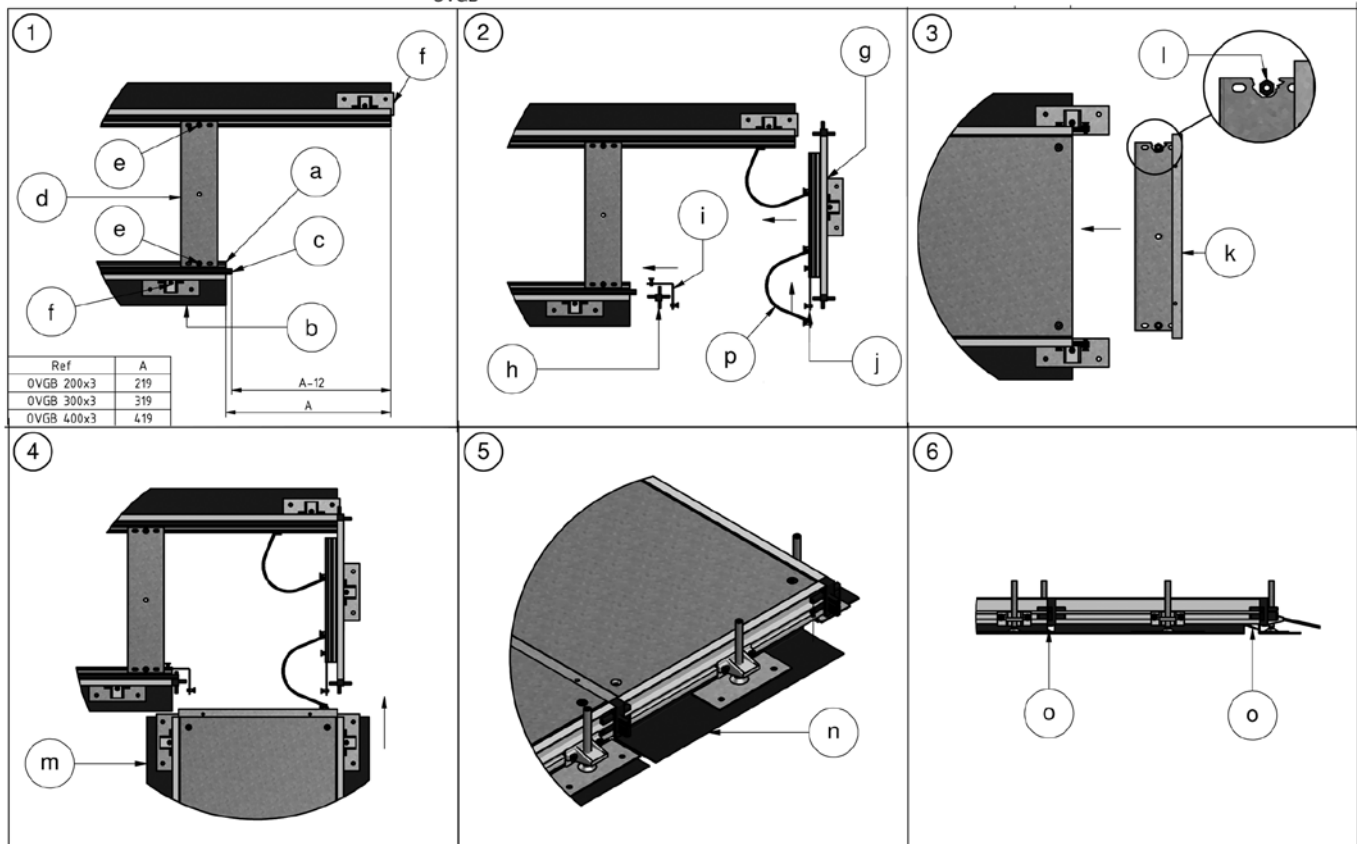
Remark

! To obtain a levelling height of less than 80 mm, shorten the levelling screws to below the top of the aluminium section (k) before pouring the screed (m).

! Note: when laying or removing cables we advise you not to remove the traverses between the aluminium sections.

OVGB

Technical information

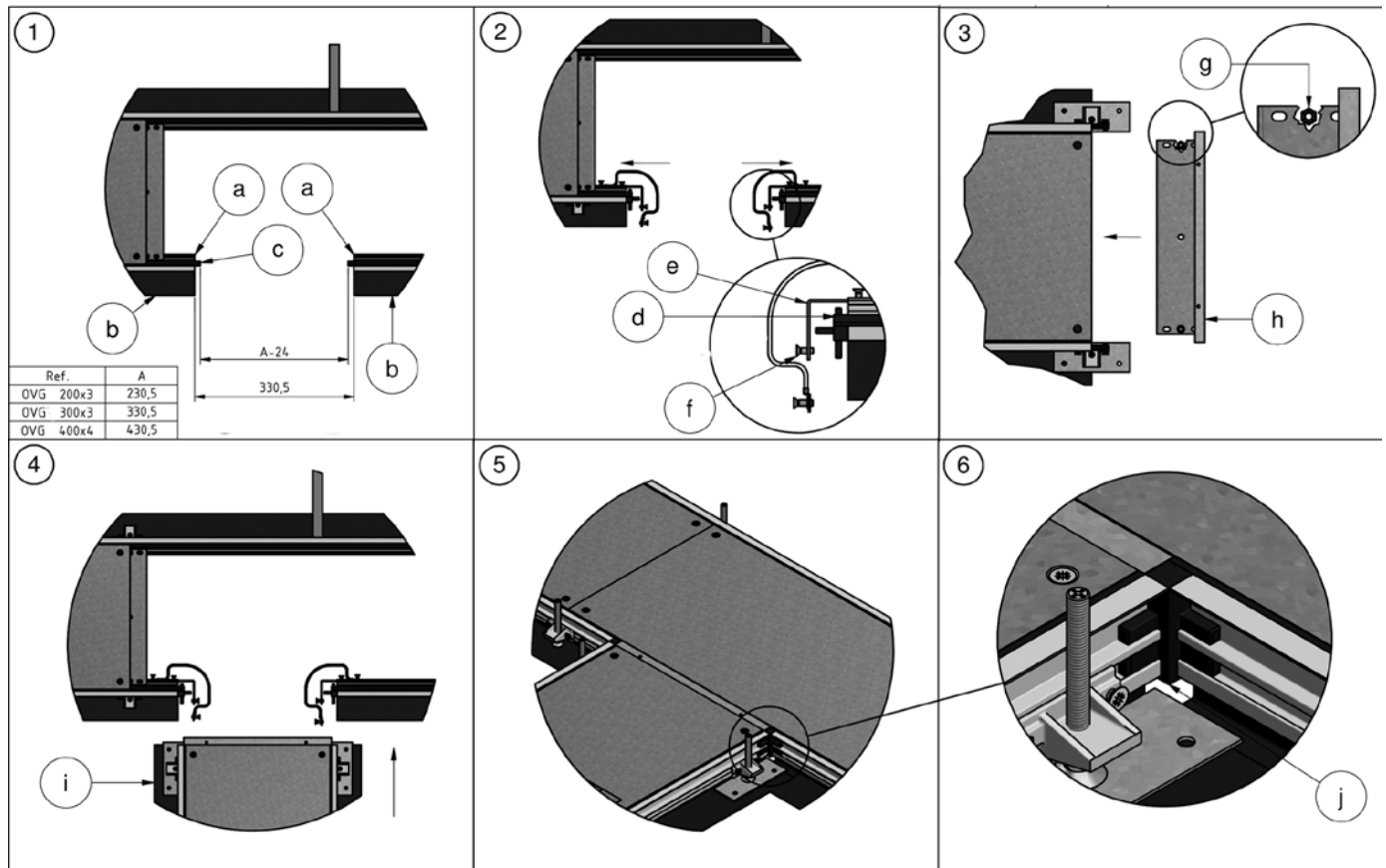


1. Remove the length stated in the table from the aluminium profile (a) and the side section (b). Remove a section from the carpet surround that is 12 mm shorter. Move the traverse section (d) of the end section so that it is positioned between the two profiles and fasten with the two screws (e). Reposition the feet (f) as shown in the drawing.
2. Position the earthing strap under corner (i) along with the plastic corner connector (h) in the aluminium profiles of the section which you want to branch off from. Fasten the right earthing clamp (j) the plastic corner connector (h) and the 2 earthing cables (p) in the aluminium profile of the end section. Scovere the end section (g) onto the section you want branch off from and connect 1 earthing cable.
3. Locate the traverse for the supports (k) under the cover of the section from which you are branching off. In order to hold the traverse section at the right level the M6 bolts supplied (l) must be positioned under the most central opening along both sides of the traverse section. Attach the top to the traverse section making use of the most central opening.
4. Scovere the section you want to branch off from (m) on to the plastic corner connectors that you have attached to the section from which you want to branch off.
5. Cut to size a surplus section of the side (n) so this can be slid into the end section in order to close it off. Line everything up.
6. Seal off all openings (for example o) with adhesive tape.

6

OVGT

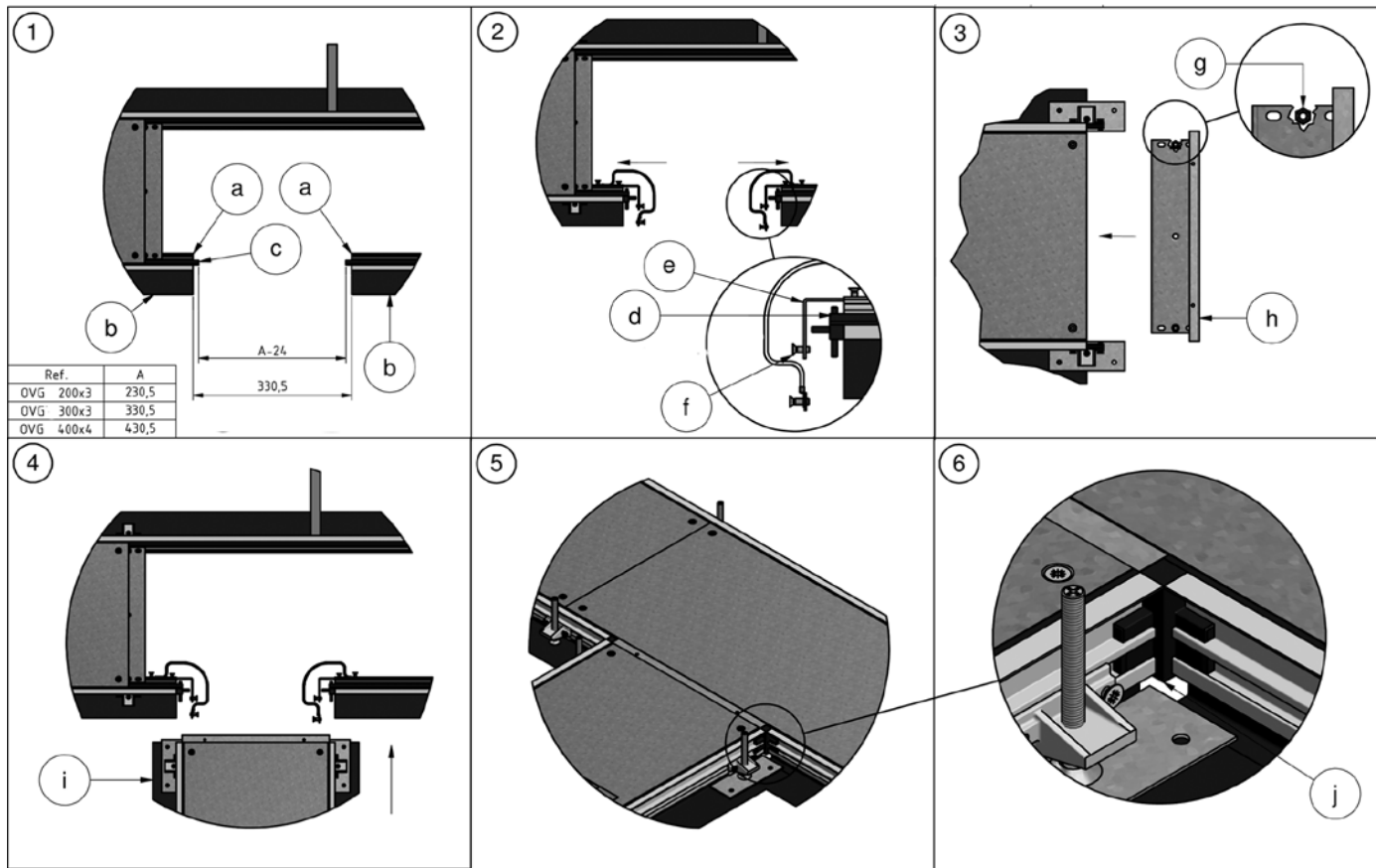
Technical information



1. Remove the length stated in the table from the aluminium profile (a) and the side section (b). Remove a section that is 24mm shorter from the carpet surround (c) so that the edges extend on both sides of the aluminium profile by 12mm.
2. Locate both earthing straps under corner (e) along with the 2 plastic corner connectors (d) in the aluminium profiles of the section from which you want to branch off. Fix in position the earth straps (e) using the M5 screws provided (f).
3. Position the traverse section (h) for the supports under the cover of the sections you want to branch off from. In order to hold the traverse section in the right position you must locate the M6 bolts provided at both sides in the most central hole of the traverse section. Attach the top to the traverse section making use of the most central opening of the traverse section.
4. Scove the section which you want to branch off from (i) onto the plastic corner connectors and the earthing straps which you have attached to the section you want to branch off to.
5. Align all components until everything is in line.
6. Close up all openings (for example j) with adhesive tape.

OVGK

Technical information



1. Remove the length stated in the table from the aluminium profile (a) and the side section (b). Remove a section that is 24mm shorter from the carpet surround (c) so that the edges extend on both sides of the aluminium profile by 12mm.

2. Locate both earthing straps under corner (e) along with the 2 plastic corner connectors (d) and the 2 earthing cables (k) in the aluminium profiles of the section from which you want to branch off. Fix in position the earth straps (e) and the 2 earthing cables (k) using the M5 screws provided (f).

3. Position the traverse section (h) for the supports under the cover of the sections you want to branch off from. In order to hold the traverse section in the right position you must locate the M6 bolts provided at both sides in the most central hole of the traverse section. Attach the top to the traverse section making use of the most central opening of the traverse section.

4. Scovere the section which you want to branch off from (i) onto the plastic corner connectors and the earthing straps which you have attached to the section you want to branch off to. Fix the earthing cables (k).

5. Follow steps 1-4 for the other side of the OVG where you want to branch off.

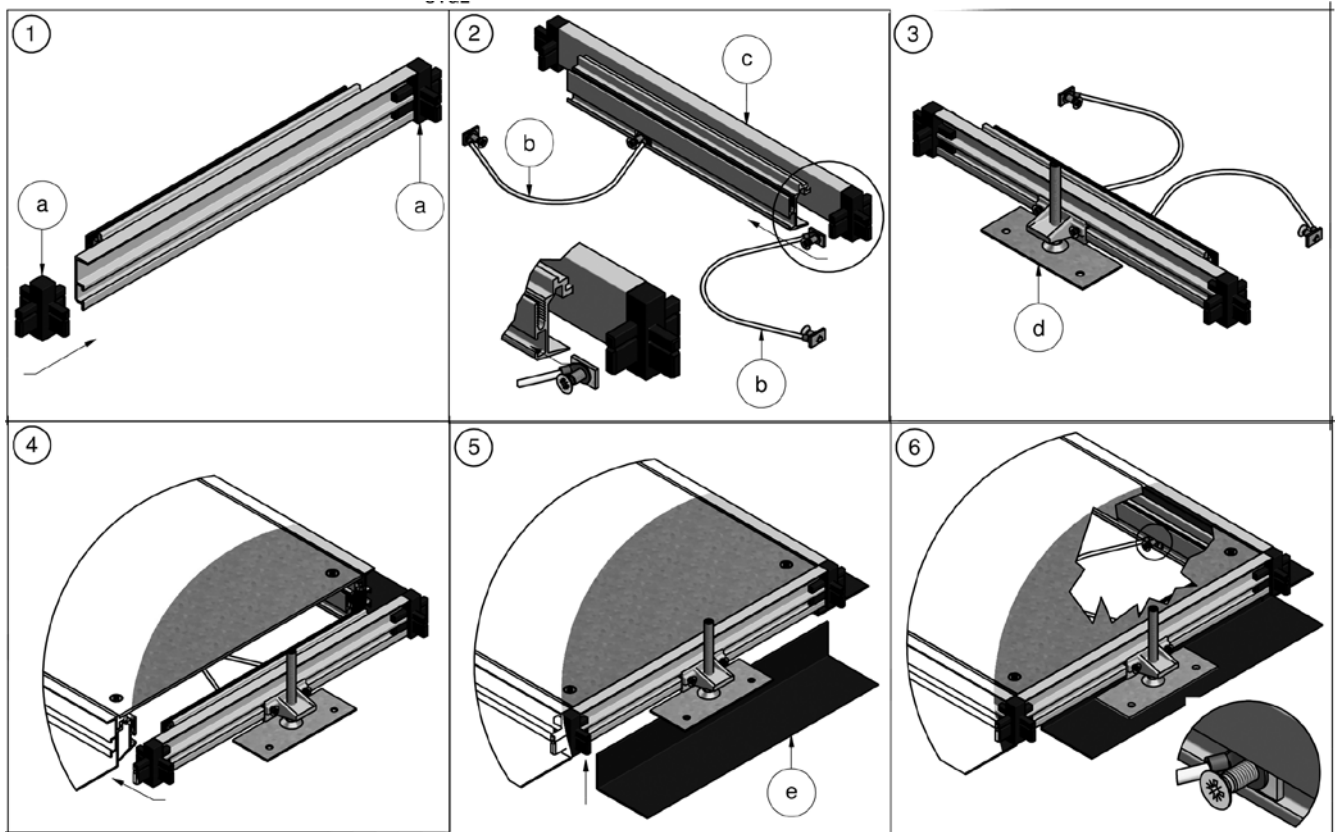
6. Align all components until everything is in line.

7. Close up all openings (for example j) with adhesive tape.

6

OVGE

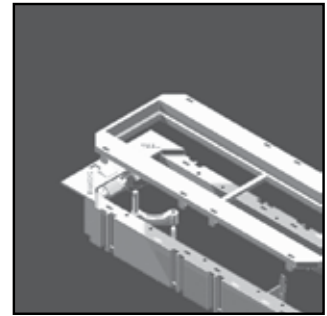
Technical information



1. Locate the 2 corner connectors OVGHV (a) in the ends of the profile that is provided with the end section.
2. Attach one end of the earthing straps supplied (b) in the slot provided on the inside of the profile (c).
3. Mount a foot (d) in the middle of the profile of the end section.
4. Scovere the end section into the length of the OVG which you want to close off.
5. Cut a side section (e) to size and attach this under the end section as this is done for the section runs.
6. Attach the other end of the earthing straps into the aluminium profiles of the section you want to close off.

FLOOR INSTALLATIONS

Accessories



NEOT

Supporting Alu-frame



Universal supporting frame.
Integrated in covers KD Vit, KD Vit V3, DRIT3, DVITWD3, DVITWDV3, BD VitWD, KD VitWD3, KD VitWDV3, BDRITWD3, DRITWD3.

Standard finish

Aluminium

HD	Reference	↑ mm	↔ mm	↔ mm	↔ mm	kg/piece	📦	Stock	Unit
-	NEOT2	-			-	0.750	1		piece
-	NEOT3	-			-	0.750	1		piece

Set contains:

- Aluminium frame
- 4 extension nuts AM6.48
- 4 anchorfeet
- 4 long bolts M 8x70
- 4 short bolts M 8x45

Higher leveling range can be achieved per added set of 4 nuts AM6.48.

1 set = 92 - 145 mm.

2 sets = 140 - 193 mm.

3 sets = 188 - 241 mm.

4 sets = 236 - 289 mm.

NEOAVT

Anchor base NEO



Standard finish

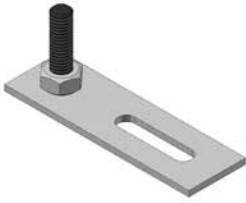
Polypropylene

HD	Reference	↑ mm	↔ mm	↔ mm	↔ mm	kg/piece	📦	Stock	Unit
-	NEOAVT	-			-	0.027	12		piece

To order per full packaging.

NEOTVT

Support NEOT



Individual leveling foot for the NEOT Alu-rim.
Only to be used with raised floorsystems.

Standard finish

Pre-galvanised

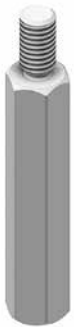
HD	Reference	↑ mm	↔ mm	↔ mm	↔ mm	kg/piece	⊞	Stock	Unit
-	NEOTVT	-				0.030	4		piece

The technical information for this product can be found at the end of this chapter.

To order per full packaging.

AM

Extension Nut



Standard finish

Electro zinc-plated

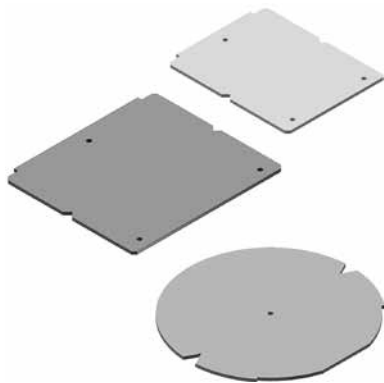
HD	Reference	↑ mm	↔ mm	↔ mm	↔ mm	kg/piece	⊞	Stock	Unit
-	AM6.48	48				0.034	12	✓	piece
-	AM6.96	96				0.067	12	✓	piece

Can be added to the aluminium frame.

To order per full packaging.

OHE

Packer floorcover



Packers can be added to level the floor finish in the covers.

Standard finish		Cardboard	
-----------------	--	-----------	--

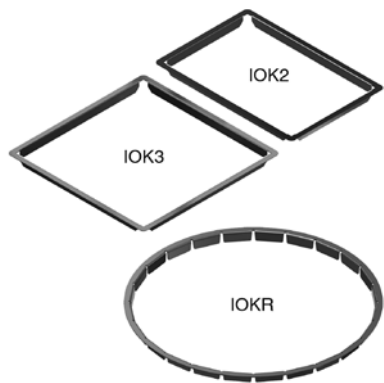
HD	Reference	↑ mm	↔ mm	↗ mm	↘ mm	kg/piece	📦	Stock	Unit
-	OHEV2.2	-			-	0.045	1		piece
-	OHEV2.5	-			-	0.200	1		piece
-	OHEV3.2	-			-	0.060	1		piece
-	OHEV3.5	-			-	0.250	1		piece
-	OHER3.2	-			-	0.060	1		piece
-	OHER3.5	-			-	0.250	1		piece
-	OHEVB2.2	-			-	0.070	1		piece
-	OHEVB2.5	-			-	0.174	1		piece
-	OHEVB3.2	-			-	0.098	1		piece
-	OHEVB3.5	-			-	0.244	1		piece

- For 3 compartment square covers:
- OHEV3.2 and OHEV3.5
- For 2 compartment rectangular covers:
- OHEV2.2 and OHEV2.5
- For 3 compartment round covers:
- OHER3.2 and OHER3.5
- For blind cover square:
- OHEVB3.2 and OHEVB3.5
- For blind cover rectangular:
- OHEVB2.2 and OHEVB2.5

Only for spaces with dry floor treatment.

IOK

Filler rim for covers



Standard finish		Stainless Steel 304	
-----------------	--	---------------------	--

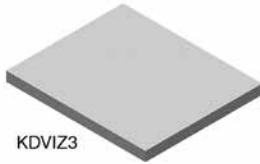
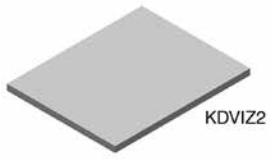
HD	Reference	↑ mm	↔ mm	↗ mm	↘ mm	kg/piece	📦	Stock	Unit
-	IOK2	16	213		288	0.179	4		piece
-	IOK3	16	288		288	0.198	4		piece
-	IOKR	16			330	0.294	4		piece

Stainless filler rim is advised to be used for oversized floor cut-outs between 272 and 275 mm (square and rectangular), between 197 and 200 mm (rectangular) and between diameter 332 and 335 mm (round).

- IOK2: Filler rim for covers BDVKK2, KDVKK2
- IOK3: Filler rim for covers BDVKK3, KDVKK3
- IOKR: Filler rim for covers BDRKK3, KDRKK3

KDVIZ

Kit for heavy load



Max. load 1,5 tons

Standard finish Polyvinyl chloride

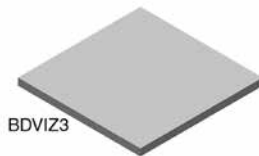
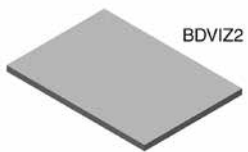
HD	Reference	↑ mm	↔ mm	↔ mm	↔ mm	kg/piece	📦	Stock	Unit
-	KDVIZ2	-	182	10.00	227	0.537	1	✓	piece
-	KDVIZ3	-	227	15.00	257	1.138	1	✓	piece

Tested according EN 50085-2-2.

- KDVIZ2 for KDVIT2 and KDVIRK2.
- KDVIZ3 for KDVIT3 and KDVIRK3.

BDVIZ

Kit for heavy load



Max. load 1,5 tons

Standard finish Polyvinyl chloride

HD	Reference	↑ mm	↔ mm	↔ mm	↔ mm	kg/piece	📦	Stock	Unit
-	BDVIZ2	-	182	10.00	257	0.608	1	✓	piece
-	BDVIZ3	-	257	20.00	257	1.717	1	✓	piece

Tested according EN 50085-2-2.

- BDVIZ2 for BDVITWD2.
- BDVIZ3 for BDVITWD3.

TSBU

Apparatus cup universal



Clippable system.

Color Black RAL 9011

Standard finish Polypropylene

HD	Reference	↑ mm	↔ mm	↔ mm	↔ mm	kg/piece	📦	Stock	Unit
-	TSBU	-				0.090	12	✓	piece

To order per full packaging.
Tested to EN 50085-2-2.

Can be clipped and fixed in the cover frame at different heights.

Set containing:
- 2 screw-in cable restrainers

A bottom cover plate type ADPUB and cover plates ADPU, according to desired connections, can be added.

2 x 71mm module application is possible with 2 x APDU1.50.50. For use of 3 x 71mm module, please contact Vergokan.

Break away the extreme corners for mounting.

TSBU45

Apparatus cup 45



Clippable system.

Color Black RAL 9011

Standard finish Polypropylene

HD	Reference	↑ mm	↔ mm	↔ mm	↔ mm	kg/piece	📦	Stock	Unit
-	TSBU4.45.45	-				0.110	12	✓	piece

To order per full packaging.
Tested to EN 50085-2-2.

For 4 clip devices type 45x45.

Can be clipped and fixed in the cover frame at different heights.

Set containing:
- Base cup
- Cover plate ADPU4.45.45
- 2 screw-in cable restrainers
- Divider SSBU

A bottom cover plate, type ADPUB, can be added.
Break away the extreme corners for mounting.

TSBU50

Apparatus cup 50



Clippable system.

Color **Black RAL 9011**

Standard finish **Polypropylene**

HD	Reference	↑ mm	↔ mm	↔ mm	↔ mm	kg/piece	📦	Stock	Unit
-	TSBU3.50.50	-				0.100	12	✓	piece

To order per full packaging.
Tested to EN 50085-2-2.

For 3 clip devices type 50x50.
2 x 71mm module application is possible with 2 x APDU1.50.50. For use of 3 x 71mm module, please contact Vergokan
Can be clipped and fixed in the cover frame at different heights.

Set containing:
- Base cup
- Cover plate ADPU3.50.50
- 2 screw-in cable restrainers

A bottom cover plate, type ADPUB, can be added.
Break away the extreme corners for mounting.

TSBUD

Apparatus cup angular



Clippable system.

Color **Black RAL 9011**

Standard finish **Polypropylene**

HD	Reference	↑ mm	↔ mm	↔ mm	↔ mm	kg/piece	📦	Stock	Unit
-	TSBUD3.36ANGLE	-				0.120	12	✓	piece

To order per full packaging.
Tested to EN 50085-2-2.

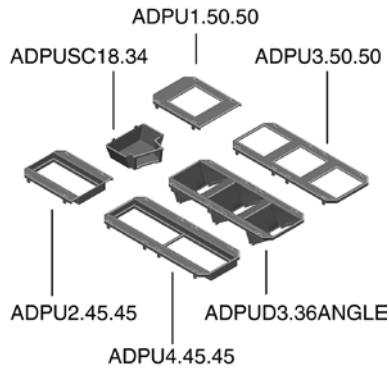
Can be clipped and fixed in the cover frame at different heights.

Set containing:
- Base cup
- Cover plate ADPUD3.36ANGLE

A bottom cover plate type ADPUB and 3 dataplates type IDP, can be added.
Break away the extreme corners for mounting.

ADPU

Coverplate for TSBU



Color	Black RAL 9011
Standard finish	Polycarbonate

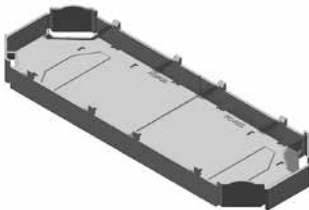
HD	Reference	↑ mm	↔ mm	↔ mm	↔ mm	kg/piece	📦	Stock	Unit
-	ADPU1.50.50	-				0.010	12	✓	piece
-	ADPU2.45.45	-				0.010	12	✓	piece
-	ADPU3.50.50	-				0.010	12	✓	piece
-	ADPU4.45.45	-				0.020	12	✓	piece
-	ADPUD3.36ANGLE	-				0.010	12	✓	piece
-	ADPUSC18.34	-				0.012	12	✓	piece

To order per full packaging.
Tested to EN 50085-2-2.

- ADPU1.50.50 for 1 screw-in module 50x50.
- ADPU3.50.50: For use of 3 x 71 mm module, please contact Vergokan.
- ADPU2.45.45 for 2 clip devices type 45x45.
- ADPU4.45.45 for 4 clip devices type 45x45.
- ADPUSC18.34 for quick connection. clippable to bottom cover plate ADPUB.
- ADPU1.50.50 and ADPU3.50.50: unused positions can be filled with blind caps, type ADSU50.50.
- ADPU2.45.45 and ADPU4.45.45: unused positions can be filled with blind caps, type ADSU45.45.

ADPUB

Baseplate for TSBU



To seal the open side of TSBU in high-voltage applications.

Color	Black RAL 9011
Standard finish	Polypropylene

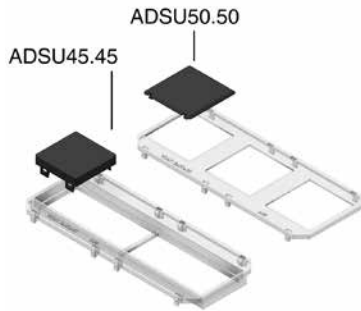
HD	Reference	↑ mm	↔ mm	↔ mm	↔ mm	kg/piece	📦	Stock	Unit
-	ADPUB	-				0.035	24	✓	piece

To order per full packaging.
Tested to EN 50085-2-2.

- Provided with:
- Snap-off corners for cable exit.
 - A removable section for use with quick connector (in combination with ADPUSC18.34).
- Scored for easy separation.

ADSU

Cap



Color **Black RAL 9011**

Standard finish **Polypropylene**

HD	Reference	↑ mm	↔ mm	↔ mm	↔ mm	kg/piece	📦	Stock	Unit
-	ADSU45.45	-	45		45	0.010	12	✓	piece
-	ADSU50.50	-	50		50	0.010	12	✓	piece

To order per 12 pieces.
Tested to EN 50085-2-2.

- ADSU45.45: for covering unused positions in ADPU2.45.45, ADPU4.45.45, TSBL3 et TSBL2.
- ADSU50.50: for covering unused positions in ADPU1.50.50 and ADPU3.50.50.
- Simple mounting and removing or re-positioning of new modules.
- Efficient protection of spare plates.

SSBU

Divider plate TSBU



Color **Black RAL 9011**

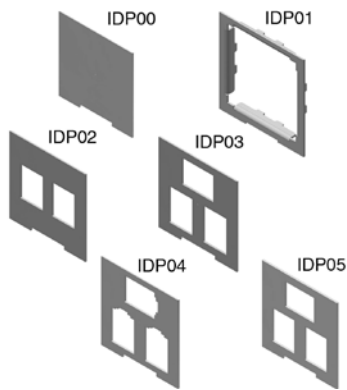
Standard finish **Polypropylene**

HD	Reference	↑ mm	↔ mm	↔ mm	↔ mm	kg/piece	📦	Stock	Unit
-	SSBU	-				0.010	12	✓	piece

To order per full packaging.
Tested to EN 50085-2-2.

IDP

Fixing plate ADPUD



Color	Black RAL 9011
Standard finish	Electro zinc-plated

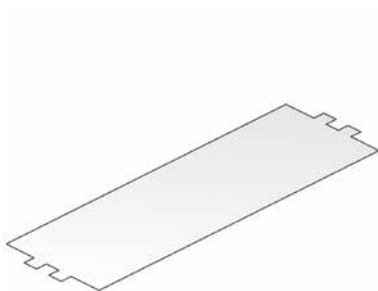
HD	Reference	↑ mm	↔ mm	↔ mm	↔ mm	kg/piece	📦	Stock	Unit
-	IDP00	-				0.020	6	✓	piece
-	IDP01	-				0.020	6	✓	piece
-	IDP02	-				0.020	6	✓	piece
-	IDP03	-				0.020	6	✓	piece
-	IDP04	-				0.020	6	✓	piece
-	IDP05	-				0.020	6	✓	piece

To order per 6 pieces.
Tested to EN 50085-2-2.

- IDP00: Blind plate
- IDP01: for 45 x 45 mm
- IDP02: for 2x 14,8 x 19,4 mm
- IDP03: for 3x 14,7 x 20,1 mm
- IDP04: for 3x RJ45
- IDP05: for 3x 14,6 x 19,3 mm

GBP

Blind plate



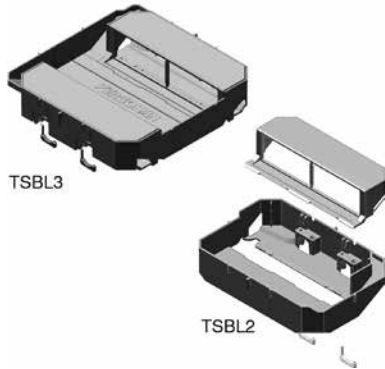
Color	grey RAL 7011
Standard finish	Polypropylene

HD	Reference	↑ mm	↔ mm	↔ mm	↔ mm	kg/piece	📦	Stock	Unit
-	GBP	-				0.030	12	✓	piece

To order per full packaging.
Tested according EN 50085-2-2.

TSBL

Low profile apparatus box



Completely clippable.

Color Black RAL 9011

Standard finish Polypropylene

HD	Reference	↑ mm	↔ mm	↔ mm	↔ mm	kg/piece	⊞	Stock	Unit
-	TSBL2	-				0.210	6	✓	piece
-	TSBL3	-				0.275	3	✓	piece

The technical information for this product can be found at the end of this chapter.

To order per full packaging.
Tested to EN 50085-2-2.

For oblique mounting of clip devices type 45.

TSBL2:
Up to 4 mounting positons.
Set contains base cup + 1 frame + 2 screw-in cable restrainers.
TSBL3:
Up to 8 mounting positons.
Set contains base cup + 2 frames + 4 screw-in cable restrainers.

ASTSBL

Adapter piece low profile apparatus box



Adapter piece for angle arrangement

Standard finish Polypropylene

HD	Reference	↑ mm	↔ mm	↔ mm	↔ mm	kg/piece	⊞	Stock	Unit
-	BHLAS	-				0.013	6	✓	piece

To order per full packaging.
Adapter for the mounting of 3 single sockets in the TSBL that are used with right angled plugs.

MK

Silicon box



HD	Reference	↕ mm	↔ mm	↔ mm	↔ mm	kg/piece	📦	Stock	Unit
-	MK	-				0.520	1	✓	piece

OV

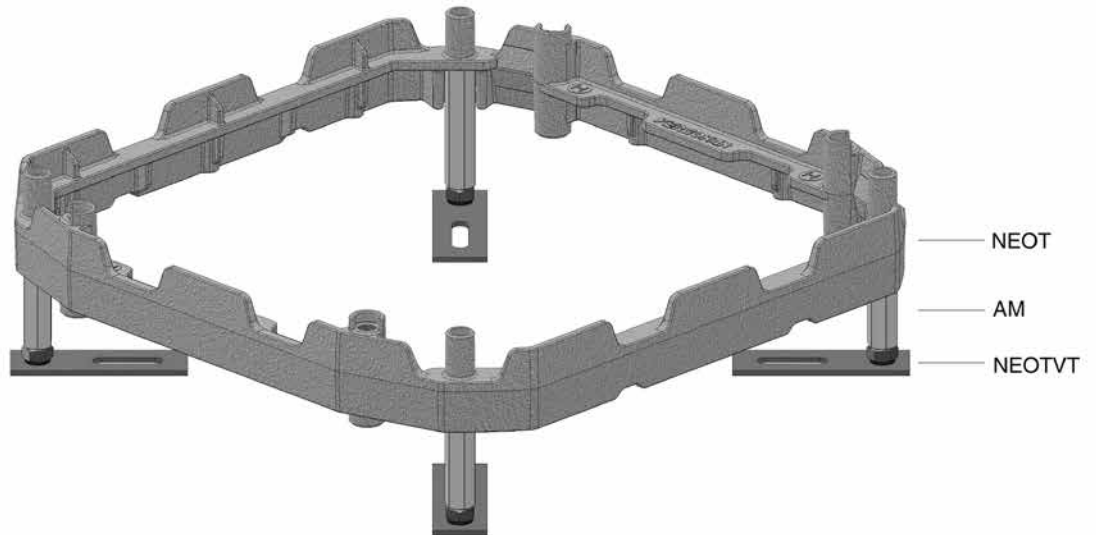
Degreaser



HD	Reference	↕ mm	↔ mm	↔ mm	↔ mm	kg/piece	📦	Stock	Unit
-	OV	-				0.400	1	✓	piece

NEOTVT

Technical information



TSBL

Technical information

